

AIR CONDITIONER

Use & Care Guide

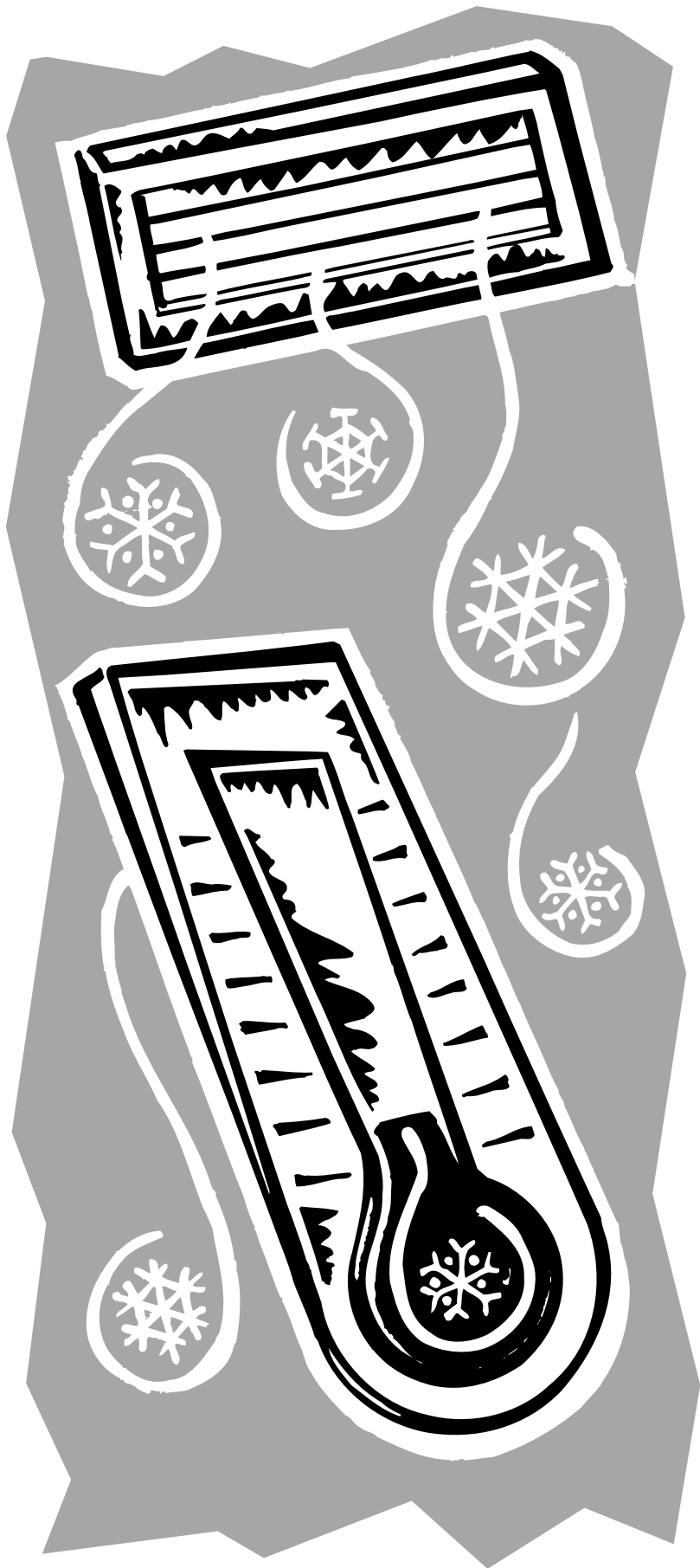
For questions about features, operation/performance, parts, accessories or service, call: 1-800-253-1301 in the U.S.A.

ACONDICIONADOR DE AIRE

Manual de uso y cuidado

Si tiene preguntas respecto a las características, funcionamiento, rendimiento, piezas, accesorios o servicio técnico, llame al: 1-800-253-1301 en los EE. UU.

Table of Contents/Índice 2



AIR CONDITIONER

Use & Care Guide

For questions about features, operation/performance, parts, accessories or service, call: **1-800-253-1301** in the U.S.A.

ACONDICIONADOR DE AIRE

Manual de uso y cuidado

Si tiene preguntas respecto a las características, funcionamiento, rendimiento, piezas, accesorios o servicio técnico, llame al: **1-800-253-1301** en los EE. UU.

Table of Contents/Índice	2
--------------------------------	---

TABLE OF CONTENTS

AIR CONDITIONER SAFETY	2	Starting Your Air Conditioner—Rotary Control— Cool Only Models	14
INSTALLATION REQUIREMENTS	3	Starting Your Air Conditioner—Rotary Control— Heat/Cool Models	15
Tools and Parts	3	Changing Air Direction	16
Location Requirements	3	Normal Sounds.....	16
Electrical Requirements	4	AIR CONDITIONER CARE	16
INSTALLATION INSTRUCTIONS	5	Cleaning the Air Filter	16
Unpack the Air Conditioner.....	5	Cleaning the Front Panel.....	16
Window Installation (on some models).....	6	Repairing Paint Damage	16
Through-the-Wall Cabinet Installation	9	Annual Maintenance.....	16
Complete Installation	10	TROUBLESHOOTING	17
AIR CONDITIONER USE	11	ASSISTANCE OR SERVICE	18
Starting Your Air Conditioner—Digital Control	12	Accessories	19
Using the Remote Control	13		

ÍNDICE

SEGURIDAD DEL ACONDICIONADOR DE AIRE	19	Cómo poner en marcha su acondicionador de aire— Control rotativo—Modelos con sólo aire frío.....	31
REQUISITOS DE INSTALACIÓN	20	Cómo poner en marcha su acondicionador de aire— Control rotativo—Modelos con aire caliente/frío.....	32
Herramientas y piezas.....	20	Cómo cambiar la dirección del aire	33
Requisitos de ubicación.....	20	Sonidos normales.....	33
Requisitos eléctricos	21	CUIDADO DE SU ACONDICIONADOR DE AIRE	34
INSTRUCCIONES DE INSTALACIÓN	22	Limpieza del filtro de aire	34
Desempaque el acondicionador de aire.....	22	Limpieza del panel delantero	34
Instalación en una ventana (en algunos modelos)	23	Reparación de la pintura dañada.....	34
Instalación a través de la pared	26	Mantenimiento anual	34
Complete la instalación.....	27	SOLUCIÓN DE PROBLEMAS	34
CÓMO USAR SU ACONDICIONADOR DE AIRE	28	AYUDA O SERVICIO TÉCNICO	36
Cómo poner en marcha su acondicionador de aire— Control digital	29	Accesorios	36
Cómo usar el control remoto	30		

AIR CONDITIONER SAFETY

Your safety and the safety of others are very important.

We have provided many important safety messages in this manual and on your appliance. Always read and obey all safety messages.



This is the safety alert symbol.

This symbol alerts you to potential hazards that can kill or hurt you and others.

All safety messages will follow the safety alert symbol and either the word “DANGER” or “WARNING.”

These words mean:

⚠ DANGER

You can be killed or seriously injured if you don't immediately follow instructions.

⚠ WARNING

You can be killed or seriously injured if you don't follow instructions.

All safety messages will tell you what the potential hazard is, tell you how to reduce the chance of injury, and tell you what can happen if the instructions are not followed.

IMPORTANT SAFETY INSTRUCTIONS

WARNING: To reduce the risk of fire, electrical shock or injury when using your air conditioner, follow these basic precautions:

- Plug into a grounded 3 prong outlet.
- Do not use an extension cord.
- Do not remove ground prong.
- Unplug air conditioner before servicing.
- Do not use an adapter.
- Use two or more people to move and install air conditioner.

SAVE THESE INSTRUCTIONS

INSTALLATION REQUIREMENTS

Tools and Parts

Gather the required tools and parts before starting installation. Read and follow the instructions provided with any tools listed here.

Tools Needed

- Flat-blade and Phillips screwdrivers
- Tape measure
- Level
- Drill and $\frac{3}{32}$ " or smaller bit

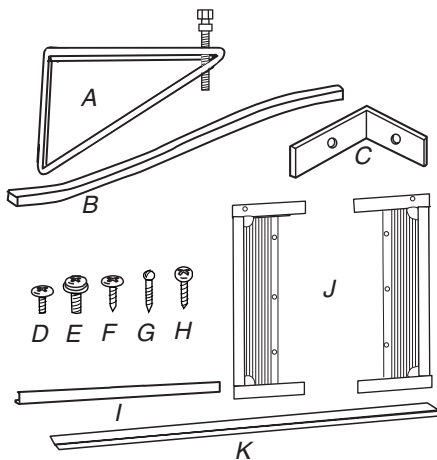
Through-the-Wall Installation:

In addition to the tools listed above, the following tools are needed for through-the-wall installation.

- Saw
- 1" (2.5 cm) or thicker lumber
- Wood preservative
- #10 x 1" wood screws (7)
- Caulk

Parts Supplied (on some models)

Check that all parts are included in parts package.



A. Support brackets with adjustment bolts (2)

B. Foam window sash seal

C. Window lock bracket (2)

D. #10 x $\frac{1}{4}$ " pan-head Phillips screws (6)

E. #10 x $\frac{3}{8}$ " washer-head Phillips thread-cutting screws (4)

F. #10 x $\frac{1}{2}$ " pan-head Phillips screws (8)

G. #10 x $\frac{3}{4}$ " round-head screws (6)

H. #10 x $\frac{3}{8}$ " painted round-head Phillips screw (2) (on some models)

I. Top channel

J. Side curtains (2)

K. Foam adhesive seal

NOTES:

- On some models, the front panel is not attached to the air conditioner. On these models, the 2 - #10 x $\frac{3}{4}$ " painted round-head Phillips screws (H) used to attach the front panel will be included in the parts bag.
- Installation parts are supplied for double-hung windows up to 40" (101.6 cm) wide. A special Wide Window Kit is available from your dealer or service center. See "Accessories."

Location Requirements

IMPORTANT: Observe all governing codes and ordinances.

Check the location where air conditioner will be installed. Proper installation is your responsibility. Make sure you have everything necessary for correct installation.

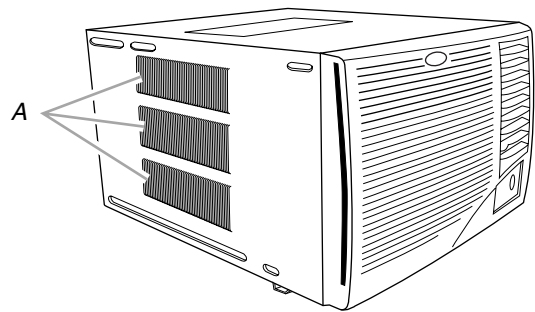
The location should provide:

- Grounded electrical outlet within 4 ft (122 cm) of where the power cord exits the air conditioner.

NOTE: Do not use an extension cord.

- Free movement of air in room to be cooled.
- A large enough opening for the air conditioner.
- Adequate wall support for weight of air conditioner. Air conditioner weighs between 145 and 200 lbs (65 to 96 kg).

NOTE: Cabinet louvers must not be obstructed. Air must be able to pass freely through the cabinet louvers.

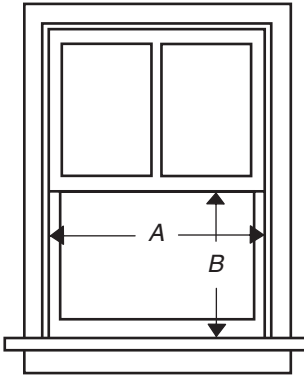


A. Cabinet louvers

Window Installation

Window opening measurements:

- 30" to 40" (76.2 cm to 101.6 cm) opening width.
- 20" (50.8 cm) minimum opening height.

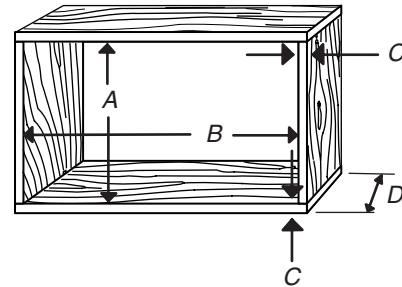


A. 30" (76.2 cm) minimum
B. 20" (50.8 cm) minimum

Through-the-Wall Installation

The wall opening measurements should be:

- Width: 26½" (66.1 cm) plus twice thickness of wood used to build frame.
- Height: 19¾" (50.2 cm) plus twice thickness of wood used to build frame.
- Depth: Dimension for depth depends on the wall thickness and the type of molding.



A. 19¾" (50.2 cm)
B. 26½" (66.1 cm)
C. Wood thickness
D. Depth

Electrical Requirements

⚠ WARNING




Electrical Shock Hazard

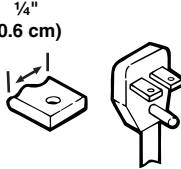
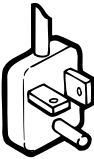
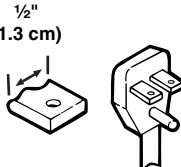
- Plug into a grounded 3 prong outlet.
- Do not remove ground prong.
- Do not use an adapter.
- Do not use an extension cord.
- Failure to follow these instructions can result in death, fire, or electrical shock.

Ground wire must be connected to the ground screw located in the lower right corner of the air conditioner when the air conditioner is in the cabinet.

The electrical ratings for your air conditioner are listed on the model and serial number label. The model and serial number label is located behind the front panel on the flange below the control panel area.

Specific electrical requirements are listed in the chart below. Follow the requirements for the type of plug on the power supply cord.

Power Supply Cord	Wiring Requirements
	<ul style="list-style-type: none"> ■ 115-volt (103.5 min. to 126.5 max.) ■ 0 to 12 amps ■ 15-amp time-delay fuse or circuit breaker ■ Use on single outlet circuit only.

Power Supply Cord	Wiring Requirements
	<ul style="list-style-type: none"> ■ 230-volt (207 min. to 253 max.) ■ 0 to 12 amps ■ 15-amp time-delay fuse or circuit breaker ■ Use on single outlet circuit only.
	<ul style="list-style-type: none"> ■ 230-volt (207 min. to 253 max.) ■ 0 to 16 amps ■ 20-amp time-delay fuse or circuit breaker ■ Use on single outlet circuit only.
	<ul style="list-style-type: none"> ■ 230-volt (207 min. to 253 max.) ■ 0 to 24 amps ■ 30-amp time-delay fuse or circuit breaker ■ Use on single outlet circuit only.

Recommended Grounding Method

This air conditioner must be grounded. This air conditioner is equipped with a power supply cord having a grounded 3 prong plug. To minimize possible shock hazard, the cord must be plugged into a mating, grounded 3 prong outlet, grounded in accordance with all local codes and ordinances. If a mating outlet is not available, it is the customer's responsibility to have a properly grounded 3 prong outlet installed by a qualified electrical installer.

It is the customer's responsibility:

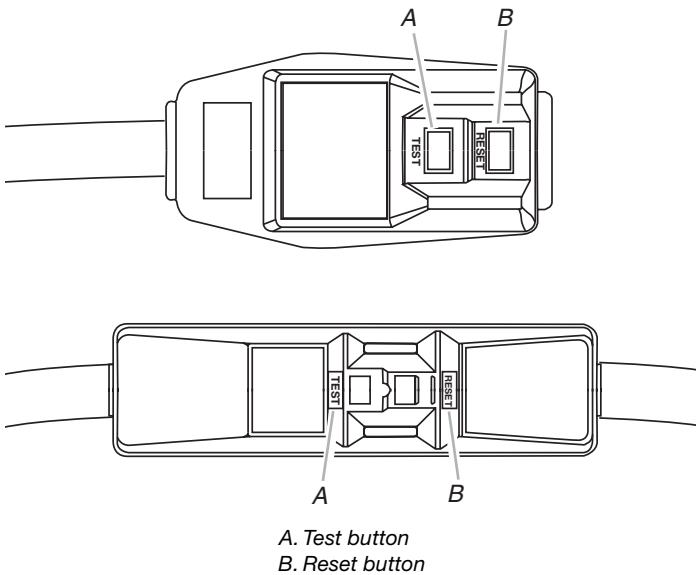
- To contact a qualified electrical installer.
- To assure that the electrical installation is adequate and in conformance with National Electrical Code, ANSI/NFPA 70 - latest edition, and all local codes and ordinances.

Copies of the standards listed may be obtained from:

National Fire Protection Association
One Batterymarch Park
Quincy, MA 02269

Power Supply Cord

NOTE: Your unit's device may differ from the ones shown.



A. Test button
B. Reset button

This room air conditioner is equipped with a power supply cord required by UL. This power supply cord contains state-of-the-art electronics that sense leakage current. If the cord is crushed, the electronics detect leakage current and power will be disconnected in a fraction of a second.

⚠ WARNING



Electrical Shock Hazard

Plug into a grounded 3 prong outlet.

Do not remove ground prong.

Do not use an adapter.

Do not use an extension cord.

Failure to follow these instructions can result in death, fire, or electrical shock.

To test your power supply cord:

1. Plug the power supply cord into a grounded 3 prong outlet.
2. Press RESET.
3. Press TEST (listen for click; Reset button will trip and pop out).
4. Press and release RESET (listen for click; Reset button will latch and remain in). The power supply cord is ready for operation.

NOTES:

- The Reset button must be pushed in for proper operation.
- The power supply cord must be replaced if it fails to trip when the test button is pressed or fails to reset.
- Do not use the power supply cord as an off/on switch. The power supply cord is designed as a protective device.
- A damaged power supply cord must be replaced with a new power supply cord obtained from the product manufacturer and must not be repaired.
- The power supply cord contains no user serviceable parts. Opening the tamper-resistant case voids all warranty and performance claims.

INSTALLATION INSTRUCTIONS

Unpack the Air Conditioner

⚠ WARNING

Excessive Weight Hazard

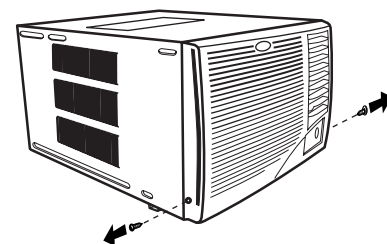
Use two or more people to move and install air conditioner.

Failure to do so can result in back or other injury.

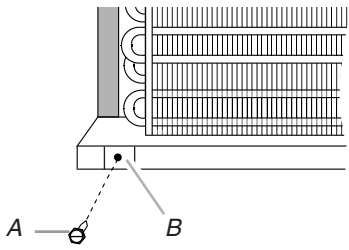
Remove packaging materials

- Remove and dispose of/recycle packaging materials. Remove tape and glue residue from surfaces before turning on the air conditioner. Rub a small amount of liquid dish soap over the adhesive with your fingers. Wipe with warm water and dry.

- Do not use sharp instruments, rubbing alcohol, flammable fluids, or abrasive cleaners to remove tape or glue. These products can damage the surface of your air conditioner.
 - Handle the air conditioner gently.
1. Remove the air conditioner from the carton and place it on cardboard.
 2. On some models, remove the screws from the front panel.

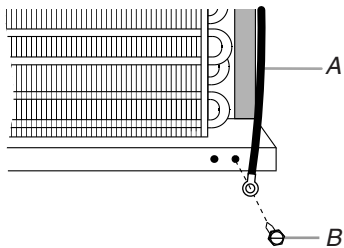


- Remove the front panel from the air conditioner and set aside.
- Remove the shipping lock bracket and screw from the air conditioner and set aside.



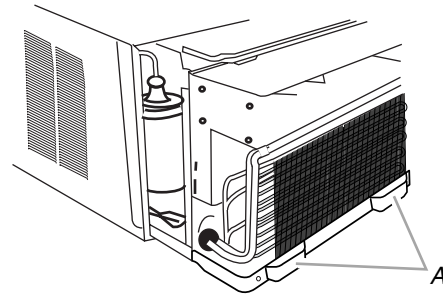
A. Shipping lock bracket screw
B. Shipping lock bracket

- Remove the ground screw and ground wire from the front of the air conditioner. Save the ground screw.



A. Green ground wire
B. Ground screw

- Pull on the handles to slide the air conditioner out of the cabinet. Place the air conditioner on cardboard.



A. Handles

NOTE: Do not lift, push, pull or remove any expanded polystyrene (foam) from inside the air conditioner. It is not packing material.

Window Installation (on some models)

NOTES:

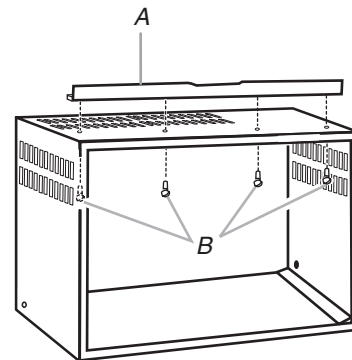
- Handle the air conditioner gently.
- Be sure your air conditioner cabinet does not fall out of the opening during installation or removal.
- The location where the power cord exits the air conditioner should be no more than 4 ft (122 cm) from a grounded 3 prong outlet.
- Do not block the louvers on the front panel.
- Do not block the louvers on the outside of the air conditioner.

Attach Top Channel

NOTE: Attach the top channel and the side curtains to the air conditioner cabinet before placing the cabinet in the window.

- Locate the bag of screws provided.
- Place the top channel on top of the air conditioner cabinet, lining up the 4 holes in the top channel with the 4 holes on top of the air conditioner cabinet.

- Using 4 - #10 x $\frac{3}{8}$ " washer-head Phillips thread-cutting screws, attach the top channel to the air conditioner cabinet.

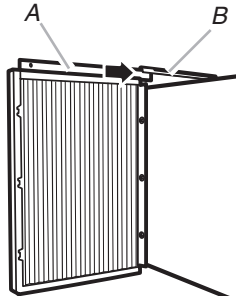


A. Top channel
B. #10 x $\frac{3}{8}$ " washer-head Phillips thread-cutting screws

Attach Side Curtains

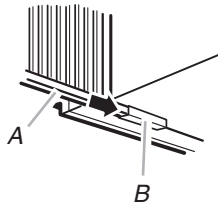
1. Locate the bag of screws provided.
2. Insert the top and then the bottom of the right-hand curtain housing in the top and bottom curtain guides on the air conditioner.

Top view



A. Curtain housing
B. Curtain guides

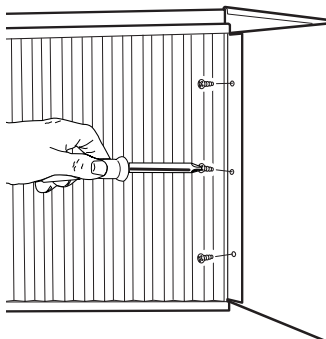
Bottom view



A. Curtain housing
B. Curtain guides

3. Extend the right-hand curtain outward so you may insert the first screw through the middle hole of the curtain. Using #10 x 1/4" pan-head Phillips screw, screw the curtain to the middle hole in the air conditioner cabinet.

NOTE: This screw is required to correctly attach the curtain (top to bottom) to the air conditioner cabinet.



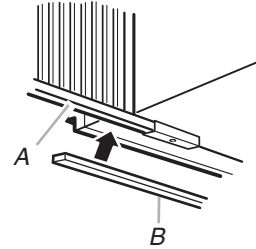
4. While the right-hand curtain is still extended, insert #10 x 1/4" pan-head Phillips screws into the top and bottom slots of curtain. Screw the curtain to the top and bottom holes in the air conditioner cabinet.

NOTE: Some curtains may have 2 slots at each end. You will be able to see a mounting hole through the correct slot.

5. Slide the curtain housing into the curtain guides as far as it will go.
6. Repeat the above steps for the left-hand curtain.

Attach foam adhesive seal

Attach the foam adhesive seal along the bottom of the bottom curtain guide.



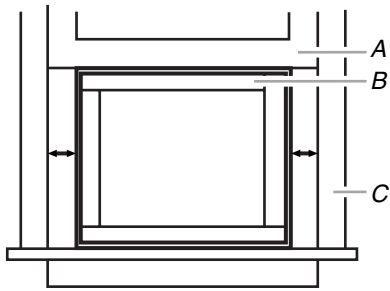
A. Curtain housing
B. Foam adhesive seal

Install Cabinet into Window

NOTES:

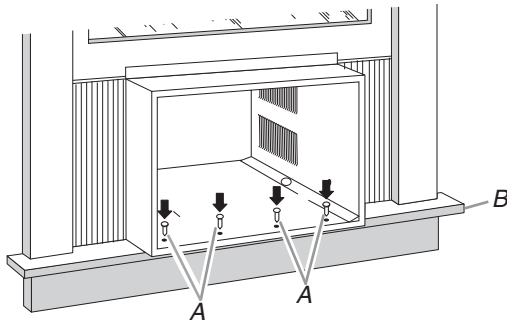
- Handle the air conditioner gently.
 - Be sure your air conditioner cabinet does not fall out of the opening during installation or removal.
 - The location where the power cord exits the air conditioner should be no more than 4 ft (122 cm) from a grounded 3 prong outlet.
 - Do not block the louvers on the front panel.
 - Do not block the louvers on the outside of the air conditioner.
1. Center the empty cabinet in the window. Check that the lower rail of the air conditioner cabinet is behind and against the back side of the windowsill. Maintain a firm hold on the air conditioner cabinet. Lower the window sash to hold the cabinet in place.
 2. Measure the distance between the right-hand side of the cabinet and the inside of the window channel.

- Repeat for the left side. Adjust the cabinet until the distance on each side is the same.



A. Window sash
B. Empty cabinet
C. Window channel

- Use a $\frac{3}{32}$ " drill bit to drill 4 starter holes $\frac{3}{8}$ " deep through the 4 holes in the cabinet and into the windowsill.
- Attach cabinet to windowsill with 4 - #10 x $\frac{1}{2}$ " pan-head Phillips screws.



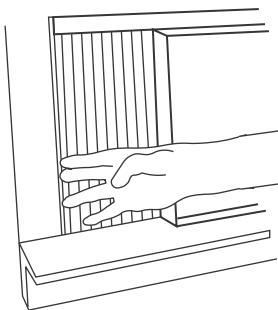
A. #10 x $\frac{1}{2}$ " pan-head Phillips screws
B. Windowsill

- Check that air conditioner cabinet is tilted to the outside so that water will run to the outside.

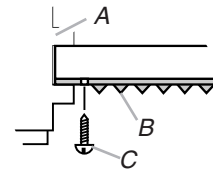
Attach Side Curtains to Window Frame

- Pull the left-hand curtain out until it fits into the window channel. Use a $\frac{3}{32}$ " drill bit to drill a starter hole through the hole in the curtain housing and into the lower window sash.

Front View

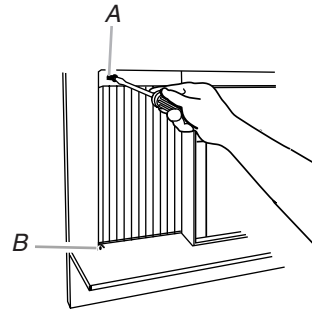


Top View



A. Window channel
B. Left-hand curtain
C. #10 x $\frac{3}{4}$ " round-head screw

- Insert one of the #10 x $\frac{3}{4}$ " round-head screws through the hole in the top of the curtain.
- Insert one of the #10 x $\frac{3}{4}$ " round-head screws through the slotted hole in the bottom of the curtain.

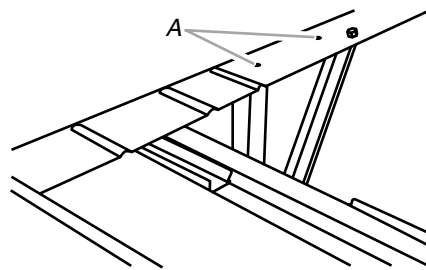


A. #10 x $\frac{3}{4}$ " round-head screw
B. Slotted hole in the bottom of the curtain

- Repeat for the right-hand curtain.

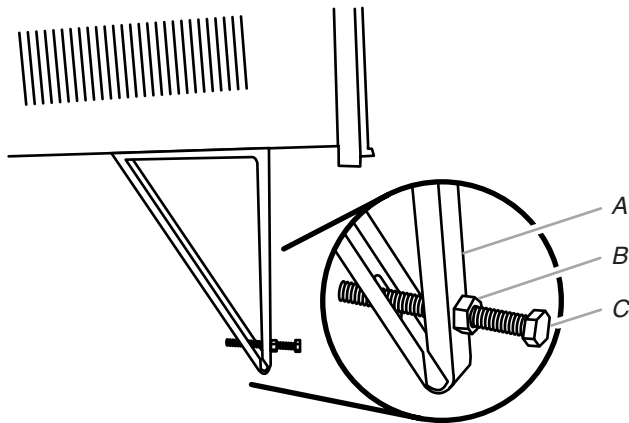
Attach Support Brackets

- Attach the support bracket to the cabinet by aligning the holes in the bracket with the holes in the cabinet.



A. Holes in cabinet and support bracket

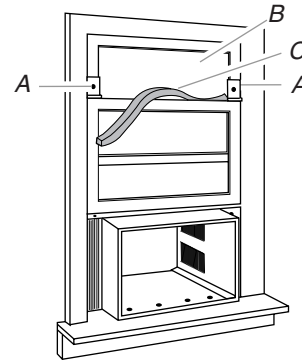
2. Using #10 x 1/2" pan-head Phillips screws, attach the bracket to the cabinet. Repeat for the other bracket.
3. Turn the adjustment bolt for each bracket until the bolt touches the wall.
4. Turn the locking nut on the adjustment bolt to lock in position.



A. Support bracket
B. Locking nut
C. Adjustment bolt

Complete Window Installation

1. Insert the foam window sash seal behind the top of the lower window sash and against the glass of the upper window.
2. Place one window-lock bracket on top of the lower window and against the upper window sash on each side of the window.
3. Use a 3/32" drill bit to drill a starter holes through the holes in each bracket into the window sash.
4. Attach both the window-lock brackets to the window sash with #10 x 3/4" round-head screws to secure the window in place.



A. Window lock brackets
B. Upper window glass
C. Foam window sash seal

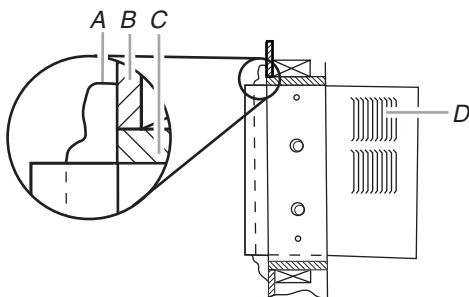
Through-the-Wall Cabinet Installation

NOTES:

- Handle the air conditioner gently.
- Be sure your air conditioner cabinet does not fall out of the opening during installation or removal.
- The location where the power cord exits the air conditioner should be no more than 4 ft (122 cm) from a grounded 3 prong outlet.
- Do not block the louvers on the front panel.
- Do not block the louvers on the outside of the air conditioner.
- It is the customer's responsibility and obligation to have this product installed by a qualified technician familiar with through-the-wall room air conditioner installations.

Option 1—Wood, metal or plastic molding

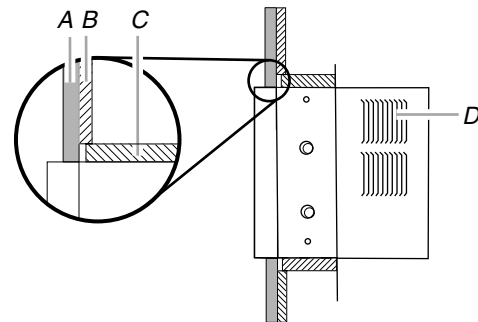
When using a wood, metal or plastic molding, the wood frame should line up with the inside wall as shown.



A. Molding
B. Inside wall
C. Wood frame
D. Louvers

Option 2—Plastered wall with no molding

If the plastered wall is to be flush with the cabinet and no molding is used, the wood frame must be set 1/2" (13 mm) into the inside wall.



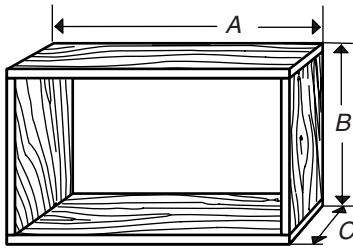
A. Plastered wall
B. Inside wall
C. Wood frame
D. Louvers

Install Wood Frame

1. Construct the wood frame. See "Location Requirements" for dimensions.
2. Measure the outside width and height of the frame to determine the wall opening dimensions.
3. Cut the opening through the wall. Remove and save the insulation.

NOTES:

- Dimension for depth depends on the wall thickness and the type of molding.
- Do not block louvers in the air conditioner cabinet.
- Use 1" (2.5 cm) or thicker lumber for the wood frame.

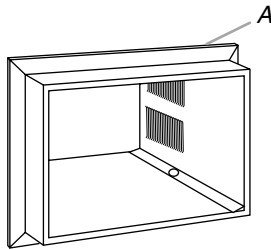


A. Outside width
B. Outside height
C. Depth

4. Apply the wood preservative to the outside exposed surface.
5. Insert the frame in the wall opening. Square and level the frame.
6. Attach the frame securely to the wall.

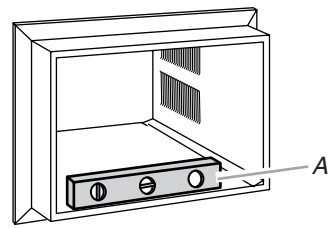
Install Cabinet into Wood Frame

1. Insert the cabinet into the framed wall opening.



A. Trim

2. Use a level to check that the cabinet is level side to side.



A. Level

3. Check that the air conditioner cabinet is tilted to the outside so that water will run to the outside.

Complete Through-the-Wall Installation

1. Reuse the insulation to seal opening between the cabinet and the frame.
2. Use the existing holes and 6 - #10 x 1" wood screws (not provided) to attach the cabinet to the frame.
NOTE: Do not overtighten the screws or the cabinet will distort and provide a poor air seal between the cabinet and the air conditioner.
3. Caulk all outside wall openings around the cabinet.

Complete Installation

NOTE: Handle the air conditioner gently.

1. Make sure the free end of the ground wire is outside of the cabinet.

NOTE: Make sure the free end of the ground wire is outside of the cabinet.

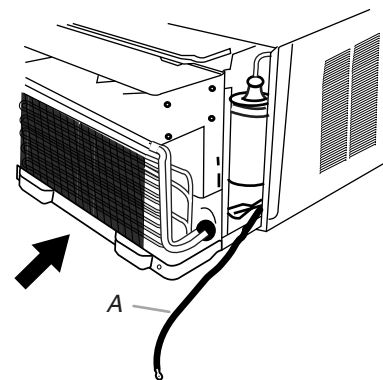
! WARNING

Excessive Weight Hazard

Use two or more people to move and install air conditioner.

Failure to do so can result in back or other injury.

2. Insert the air conditioner into cabinet.



A. Ground wire outside of the cabinet

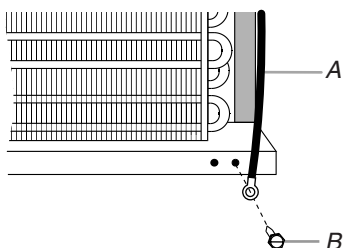
⚠ WARNING



Electrical Shock Hazard

Connect green ground wire to ground screw.
Failure to do so can result in death or electrical shock.

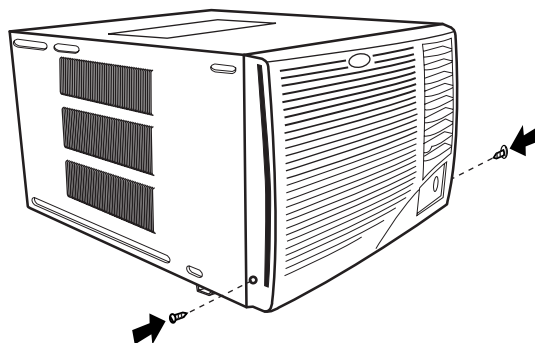
3. Connect the green ground wire to the ground screw.
Position the ground wire pointing straight up. Put the excess ground wire between the coil and the air conditioner cabinet.



A. Green ground wire
B. Ground screw

4. Push front panel straight on and then lower it slightly to lock it into place.

5. Using 2 - #10 x 3/8" painted round-head screws, attach the bottom front of the panel.



NOTE: For through-the-wall installations, if needed, install the molding around the room side of cabinet.

⚠ WARNING



Electrical Shock Hazard

Plug into a grounded 3 prong outlet.
Do not remove ground prong.
Do not use an adapter.
Do not use an extension cord.
Failure to follow these instructions can result in death, fire, or electrical shock.

6. Plug into a grounded 3 prong outlet.
7. Press RESET on the power supply cord. See "Electrical Requirements."

AIR CONDITIONER USE

Operating your air conditioner properly helps you to obtain the best possible results.

This section explains proper air conditioner operation.

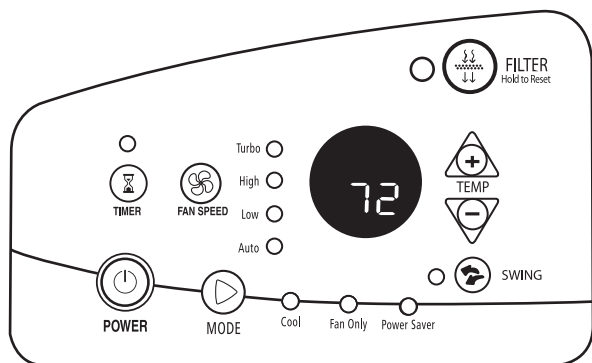
IMPORTANT:

- If you turn off the air conditioner, wait at least 3 minutes before turning it back on. This prevents the air conditioner from blowing a fuse or tripping a circuit breaker.

- Do not try to operate your air conditioner in the cooling mode when outside temperature is below 65°F (18°C). The inside evaporator coil will freeze up, and the air conditioner will not operate properly.

NOTE: In the event of a power failure, your air conditioner will operate at the previous settings when the power is restored.

Starting Your Air Conditioner—Digital Control



NOTES:

- When the air conditioner is off, the display shows the current room temperature.
 - If the room temperature is below 55°F (13°C), the display will show 55°F (13°C). If the room temperature is above 99°F (37°C), the display will show 99°F (37°C).
1. Remove clear protective film from control panel and front panel badge (on some models).
 2. Press POWER to turn on the air conditioner.



NOTE: When air conditioner is turned on for the first time after it is plugged in, it will display the default settings: Cool mode, Turbo fan speed, 72°F (22°C) for 3 seconds. When it is turned on at all other times, it will display the previous settings for 3 seconds, and then display the room temperature.

3. Choose mode. See “Mode.”
4. Choose fan speed. See “Fan Speed.”
5. Choose temperature. See “Temperature.”

Mode

1. Press and hold MODE until you see the indicator light for the desired setting.
2. Choose Cool, Fan or Power Saver.
 - Cool—Cools room. Press FAN SPEED to choose fan speed. Press the up or down arrow buttons to adjust the temperature.
 - Fan—Operates the fan at Turbo speed, without cooling. The display shows “FO” (fan only).
 - Power Saver—Fan runs only when cooling is needed. You can select the fan speed by pressing Fan Speed.

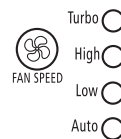
Because the fan does not circulate the room air continuously, less energy is used, but the room air is not circulated as often. Use Power Saver when you are asleep or away from home.



Fan Speed

NOTE: The Fan Speed button will operate only when the Cool or Power Saver mode has been selected.

1. Press and hold FAN SPEED until you see the indicator light for the desired setting.
2. Choose Turbo, High, Low or Auto.



Filter Monitor

1. When filter indicator light is lit or flashing, remove, clean and replace air filter. See “Cleaning the Air Filter.”
2. Press and hold FILTER for 3 seconds after cleaning and replacing the air filter. This resets the filter monitor.



NOTE: After 360 hours of fan operating time, the filter indicator light will turn on. It will remain on for 180 hours or until you press FILTER. After 180 hours, it will flash. It will continue flashing until you press FILTER.

Temperature

- Press the plus button to raise the temperature. Each time you press or hold the plus button, the temperature will go up 1° to a maximum temperature of 86°F (30°C).

NOTE: After 3 seconds, display will show the current room temperature.



- Press the minus button to lower the temperature. Each time you press or hold the minus button, the temperature will go down 1° to a minimum temperature of 64°F (18°C).

NOTE: After 3 seconds, display will show the current room temperature.

Timer Delay

To set the Timer to turn off the air conditioner (the air conditioner must be On):

1. Press TIMER. Timer indicator light will flash. Display will show remaining hours before the air conditioner will turn off.



2. Press the plus or minus button to change the delay time from 1 to 24 hours.
3. Press TIMER again or wait 10 seconds. Timer indicator light will remain on. Display will show the current room temperature.

To set the Timer to turn on the air conditioner, keeping previous settings:

1. Turn off the air conditioner.
2. Press TIMER. Timer indicator light will flash. Display will show remaining hours before the air conditioner will turn on.
3. Press the plus or minus button to change the delay time from 1 to 24 hours.
4. Press TIMER again or wait 10 seconds. Timer indicator light will remain on. Display will show current room temperature.

To set the Timer to turn on the air conditioner, changing previous settings:

1. Turn on the air conditioner.
2. Adjust the mode to Cool, Fan Only, or Power Saver.
3. Adjust the fan speed to Turbo, High, Low or Auto.
4. Adjust temperature between 64°F and 86°F (18°C and 30°C).
5. Turn off the air conditioner.
6. Press TIMER. Timer indicator light will flash. Display will show remaining hours before the air conditioner will turn on.
7. Press the plus or minus button to change delay time (1 to 24 hours).
8. Press TIMER again or wait 10 seconds. Timer indicator light will remain on. Display will show current room temperature.

To clear Timer delay program:

NOTE: Air conditioner can be either on or off.

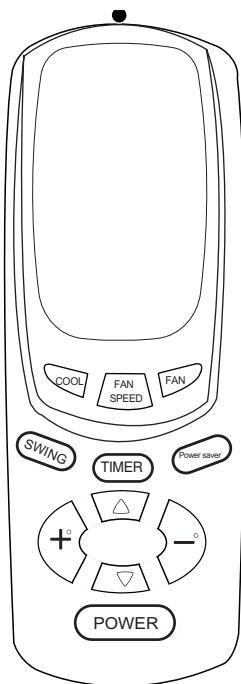
Press and hold TIMER for 3 seconds. Timer indicator light will turn off.

To see or change the time remaining (in hours):

1. Press TIMER once after it has been programmed. Display will show remaining time.
2. While the display is showing the remaining time, you can press the plus or minus button to increase or decrease the time.
3. After 10 seconds, display will show the current room temperature.

Using the Remote Control

NOTE: Remote control may vary in appearance.



NOTE: Two AAA batteries (included) power the remote control. Replace batteries after 6 months of use, or when the remote control starts to lose power.

To Turn the Air Conditioner On or Off

Press POWER.



To Select the Mode

Press COOL, FAN, or POWER SAVER.



To Select the Fan Speed

Press FAN SPEED for Turbo, High or Low or Auto.

NOTE: Auto fan speed cannot be selected in Fan Only mode.



To Set the Temperature

To raise the temperature:

Press the plus button to raise the temperature. Each time you press or hold the plus button, the temperature will go up 1° to a maximum temperature of 86°F (30°C).



To lower the temperature:

Press the minus button to lower the temperature. Each time you press or hold the minus button, the temperature will go down 1° to a minimum temperature of 64°F (18°C).



To Set the Timer Delay

To set Timer to turn off the air conditioner (air conditioner must be on):

1. Press TIMER. Timer indicator light on the air conditioner control panel will flash.



2. Press the plus or minus button to change the delay time from 1 to 24 hours.
3. Press TIMER again or wait 10 seconds. Timer indicator light on the air conditioner control panel will remain on.

To set Timer to turn on the air conditioner, keeping previous settings:

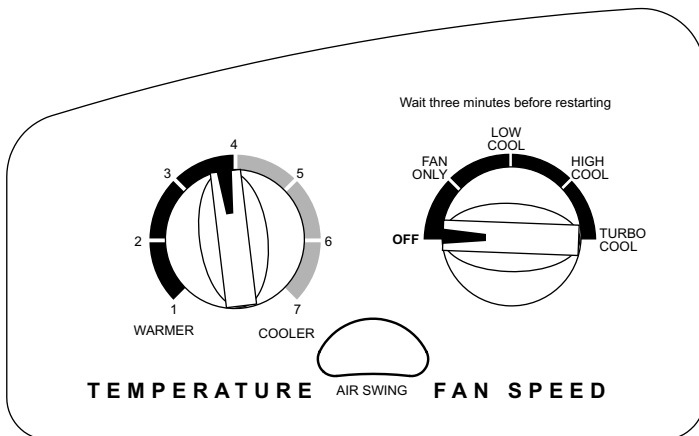
1. Turn off the air conditioner.
2. Press TIMER. Timer indicator light on the air conditioner control panel will flash.

3. Press the plus or minus button to change delay time from 1 to 24 hours.
4. Press TIMER again or wait 10 seconds. Timer indicator light on the air conditioner control panel will remain on.

To set Timer to turn on the air conditioner, changing the previous settings:

1. Turn on the air conditioner.
2. Adjust the mode to Cool, Fan, or Power Saver.
3. Adjust the fan speed to Turbo, High, Low, or Auto.
4. Adjust temperature between 64°F and 86°F (18°C and 30°C).
5. Turn off the air conditioner.
6. Press TIMER. Timer indicator light on the air conditioner control panel will flash.
7. Press the plus or minus button to change delay time from 1 to 24 hours.
8. Press TIMER again or wait 10 seconds. Timer indicator light on the air conditioner control panel will remain on.

Starting Your Air Conditioner—Rotary Control—Cool Only Models

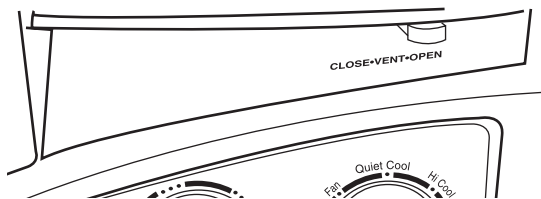


1. Set vent control. See “Vent Control (on some models).”
2. Select the fan speed. See “Fan Speed.”
3. Set temperature. See “Temperature.”

Vent Control (on some models)

Set the Vent control to CLOSE for maximum continuous cooling. The Vent control set to OPEN allows you to draw stale or smoky air from the room.

- Open—to exhaust room air to the outside.
- Close—to circulate room air.

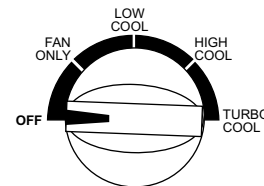


NOTE: The Vent control will function only when the Fan Speed is operating.

Fan Speed

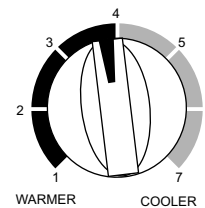
Set Fan Speed to the desired setting. When the air conditioner is operating at Turbo Cool, High Cool, or Low Cool, the fan circulates air continuously.

- Turbo Cool—for maximum cooling
- High Cool—for normal to maximum cooling (depending on model)
- Low Cool—for sleeping comfort
- Fan Only—to move air continuously without cooling

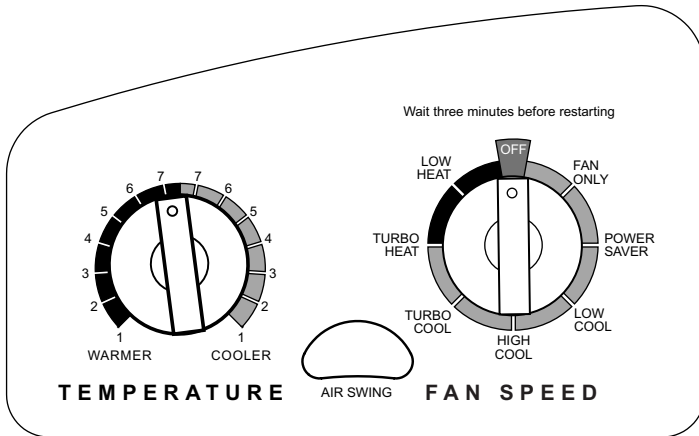


Temperature

Turn the TEMPERATURE control to a mid-setting. Adjust the air conditioner's performance by turning the Temperature control clockwise for maximum cooling. For less cooling, turn the TEMPERATURE control counterclockwise. Experiment to find the setting that suits you best.



Starting Your Air Conditioner—Rotary Control—Heat/Cool Models

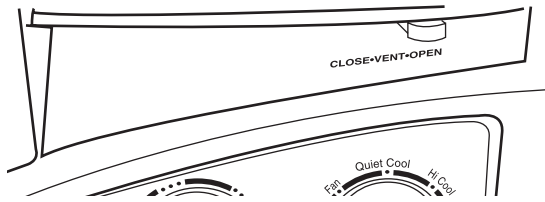


1. Set vent control. See “Vent Control (on some models).”
2. Select the fan speed. See “Fan Speed.”
3. Set temperature. See “Temperature.”

Vent Control (on some models)

Set the Vent control to CLOSE for maximum continuous cooling. The Vent control set to OPEN allows you to draw stale or smoky air from the room.

- Open—to exhaust room air to the outside.
- Close—to circulate room air.



NOTE: The Vent control will function only when the Fan Speed is operating.

Fan Speed

Set Fan Speed to the desired setting. When the air conditioner is operating at Low Heat or Turbo Heat, Turbo Cool, High Cool or Low Cool, the fan circulates air continuously.

- Low Heat—for reduced heating
- Turbo Heat—for maximum heating
- Turbo Cool—for maximum cooling
- High Cool—for normal to maximum cooling

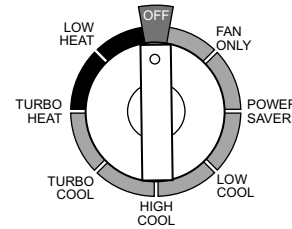
- Low Cool—for sleeping comfort
- Fan Only—to move air continuously without cooling or heating

NOTE: Fan runs on Turbo speed only.

- Power Saver—fan runs only when cooling or heating is needed.

Since the fan does not circulate the room air continuously, less energy is used, but the room air is not circulated as often. Use Power Saver when you are asleep or away from home.

NOTE: Fan runs on Low speed only.



Temperature

Cooling

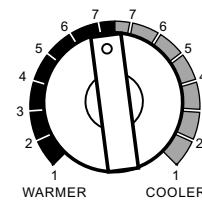
Turn the TEMPERATURE control to a setting on the right-hand side of the knob. Adjust the air conditioner’s performance by setting the Temperature control to “1” for maximum cooling. For less cooling, turn the TEMPERATURE control counterclockwise to a larger number on the right-hand side of the knob.

Heating

The electric strip heater is activated when the Fan Speed control is set to a heat setting. Turn the TEMPERATURE control to a setting on the left-hand side of the knob. For more heating, turn the TEMPERATURE control to “1” for maximum heating. For less heating, turn the TEMPERATURE control clockwise to a larger number on the left-hand side of the knob.

Experiment to find the setting that suits you best.

NOTE: Your air conditioner is not designed to be used as a primary heat source. It is intended for supplemental heating only.

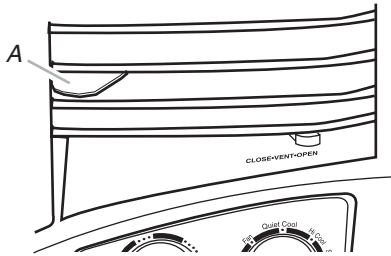


Changing Air Direction

Use the Air Swing button on the air conditioner control panel or the Swing button on the remote control to direct air left or right.



Use the tab to direct air up, down or straight ahead.



A. Tab

Normal Sounds

When your air conditioner is operating normally, you may hear sounds such as:

- Droplets of water hitting the condenser, causing a pinging or clicking sound. The water droplets help cool the condenser.
- Air movement from the fan.
- Clicks from the thermostat cycle.
- Vibrations or noise due to poor wall or window construction.
- A high-pitched hum or pulsating noise caused by the modern high-efficiency compressor cycling on and off.

AIR CONDITIONER CARE

Your new air conditioner is designed to give you many years of dependable service. This section tells you how to clean and care for your air conditioner properly. Call your local authorized dealer for an annual checkup. Remember... the cost of this service call is your responsibility.

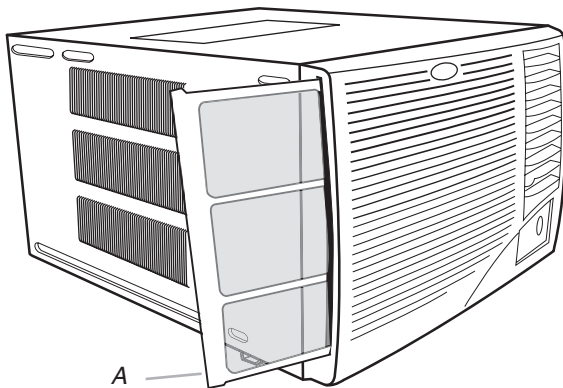
3. Use a vacuum cleaner to clean air filter. If the air filter is very dirty, wash it in warm water with a mild detergent. Do not wash the air filter in the dishwasher or use any chemical cleaners. Air dry the filter completely before replacing to ensure maximum efficiency.
4. Replace the air filter by sliding the filter back into either side of the air conditioner.

Cleaning the Air Filter

The air filter is removable for easy cleaning. A clean filter helps remove dust, lint, and other particles from the air and is important for best cooling and operating efficiency. Check the filter every 2 weeks to see whether it needs cleaning.

NOTE: Do not operate the air conditioner without the filter in place.

1. Turn off the air conditioner.
2. Remove the air filter by sliding out from either side of the front panel.



A. Air filter

Cleaning the Front Panel

1. Turn off the air conditioner.
2. Remove the air filter and clean it separately. See "Cleaning the Air Filter."
3. Wipe the front panel with a soft, damp cloth.
4. Air dry the front panel completely.

Repairing Paint Damage

Check once or twice a year for paint damage. This is very important, especially in areas near oceans or where rust is a problem. If needed, touch up with a good grade enamel paint.

NOTE: To reduce paint damage during the winter, install a heavy-duty cover over the air conditioner cabinet. For information on ordering a heavy-duty cover, see "Accessories."

Annual Maintenance

Your air conditioner needs annual maintenance to help ensure steady, top performance throughout the year. Call your local authorized dealer to schedule an annual checkup. The expense of an annual inspection is your responsibility.

TROUBLESHOOTING

Before calling for service, try the suggestions below to see whether you can solve your problem without outside help.

Air conditioner will not operate

⚠ WARNING



Electrical Shock Hazard

Plug into a grounded 3 prong outlet.

Do not remove ground prong.

Do not use an adapter.

Do not use an extension cord.

Failure to follow these instructions can result in death, fire, or electrical shock.

- **The power supply cord is unplugged.** Plug into a grounded 3 prong outlet. See “Electrical Requirements.”
- **The power supply cord has tripped (Reset button has popped out).** Press and release RESET (listen for click; Reset button will latch and remain in) to resume operation.
- **A household fuse has blown, or a circuit breaker has tripped.** Replace the fuse or reset the circuit breaker. If the problem continues, call an electrician. See “Electrical Requirements.”
- **The Fan Speed control is turned to the off position.** Turn the Fan Speed control to an active setting.
- **The local power has failed.** Wait for power to be restored.

Air conditioner blows fuses or trips circuit breakers

- **Too many appliances are being used on the same circuit.** Unplug or relocate appliances that share the same circuit.
- **Time-delay fuse or circuit breaker of the wrong capacity is being used.** Replace with a time-delay fuse or circuit breaker of the correct capacity. See “Electrical Requirements.”
- **An extension cord is being used.** Do not use an extension cord with this or any other appliance.
- **You are trying to restart the air conditioner too soon after turning the Fan control off.** Wait at least 3 minutes after turning the Fan control off before trying to restart the air conditioner.

Air conditioner power supply cord trips (Reset button pops out)

- **Disturbances in your electrical current can trip (Reset button will pop out) the power supply cord.** Press and release RESET (listen for click; Reset button will latch and remain in) to resume operation.
- **Electrical overloading, overheating, cord pinching or aging can trip (Reset button will pop out) the power supply cord.** After correcting the problem, press and release RESET (listen for click; Reset button will latch and remain in) to resume operation.

NOTE: A damaged power supply cord must be replaced with a new power supply cord obtained from the product manufacturer and must not be repaired.

Air conditioner seems to run too much

- **The current air conditioner replaced an older model.** The use of more efficient components may cause the air conditioner to run longer than an older model, but the total energy consumption will be less. Newer air conditioners do not emit the “blast” of cold air you may be accustomed to from older units, but this is not an indication of lesser cooling capacity or efficiency. Refer to the efficiency rating (EER) and capacity rating (in Btu/h) marked on the air conditioner.
- **The air conditioner is in a heavily occupied room, or heat-producing appliances are in use in the room.** Use exhaust vent fans while cooking or bathing and try not to use heat-producing appliances during the hottest part of the day. A higher capacity air conditioner may be required, depending on the size of the room being cooled.

Air conditioner cycles on and off too much, or does not cool/heat room in cooling/heating mode

- **The Fan Speed control is set to Power Saver (on some models).** Use Power Saver only when you are asleep or away from home, since the fan does not circulate the room air continuously. Use Low Cool, High Cool, Turbo Cool, Turbo Heat or Low Heat for your best comfort.
- **The air conditioner is not properly sized for your room.** Check the cooling capabilities of your room air conditioner. Room air conditioners are not designed to cool multiple rooms.
- **The filter is dirty or obstructed by debris.** Clean the filter.
- **The inside evaporator and outside condenser coils are dirty or obstructed by debris.** See “Annual Maintenance.”

- **There is excessive heat or moisture (open container cooking, showers, etc.) in the room.** Use a fan to exhaust heat or moisture from the room. Try not to use heat-producing appliances during the hottest part of the day.
- **The louvers are blocked.** Install the air conditioner in a location where the louvers are free from curtains, blinds, furniture, etc.
- **The outside temperature is below 65°F (18°C).** Do not try to operate your air conditioner in the cooling mode when the outside temperature is below 65°F (18°C).
- **The temperature of the room you are trying to cool is extremely hot.** Allow extra time for the air conditioner to cool off a very hot room.
- **Windows or doors to the outside are open.** Close all windows and doors.
- **The Vent control is set to OPEN (on some models).** Set the Vent control to CLOSED for maximum cooling and/or heating.

- **The Temperature is not set at a cool enough setting.** Adjust the Temperature control to a cooler setting by turning the knob clockwise. Turn the Fan Speed control to Turbo Cool.
- **The air conditioner in the heating mode has insufficient Btu/h for the heating requirements of the room.** Do not use the air conditioner as a primary source of heat.

Water drips from cabinet into your house

- **The air conditioner is not properly leveled.** The air conditioner should slope slightly downward toward the outside. Level the air conditioner to provide a downward slope toward the outside to ensure proper drainage. See the Installation Instructions.

NOTE: Do not drill a hole into the bottom of the metal base and condensate pan.

ASSISTANCE OR SERVICE

To avoid unnecessary service calls, please check the “Troubleshooting” section. It may save you the cost of a service call. If you still need help, follow the instructions below.

If you need assistance or service

Call the Customer eXperience Center telephone number. Dial toll-free **1-800-253-1301** in the U.S.A. Our consultants are available to assist you.

When calling: Please know the purchase date, and the complete model and serial number of your appliance.

This information will help us better respond to your request.

Our consultants provide assistance with:

- Features and specifications on our full line of appliances
- Installation information
- Use and maintenance procedures
- Accessory and repair parts sales
- Specialized customer assistance (Spanish speaking, hearing impaired, limited vision, etc.)
- Referrals to local dealers, service companies, and repair parts distributors

Our service technicians are trained to fulfill the product warranty and provide after-warranty service, anywhere in the United States.

To locate the authorized service company in your area, you can also look in your telephone directory Yellow Pages.

If you need replacement parts

If you need to order replacement parts, we recommend that you only use factory-authorized parts. These parts will fit right and work right, because they are made to the same exacting specifications used to build every new appliance.

To locate factory-authorized parts in your area, call our Customer eXperience Center telephone number, your nearest authorized service center, or Factory Service at **1-800-442-1111** in the U.S.A.

For further assistance

If you need further assistance, you can write to ask any questions or tell us about your concerns to:

Customer eXperience Center
553 Benson Road
Benton Harbor, MI 49022-2692

Please include a daytime phone number in your correspondence.

Please record your model's information.

Whenever you call to request service on your appliance, you need to know your complete model number and serial number. You can find this information on the model and serial number label. See “Electrical Requirements” for model and serial number location.

Please record the model and serial number information below. Also, record the purchase date of your appliance and the store's name, address, and telephone number.

Model Number _____

Serial Number _____

Purchase Date _____

Store Name _____

Store Address _____

Store Phone _____

Keep this book and the sales slip together for future reference.

Accessories

You can order the following accessories for your air conditioner from your local authorized dealer or by calling **1-800-253-1301** from anywhere in the U.S.A. You will hear a recording. Follow the instructions to place an order.

Replacement Air Filters

A good, clean air filter is important for best cooling with least energy consumption. Your air filter should be cleaned regularly. See "Cleaning the Air Filter" for cleaning instructions. We suggest you replace your air filter once a year.

For a new electrostatic air filter, order Part Number 111211551. Airborne particles are attracted to an electrostatic air filter and remain attached to it until they are rinsed away. For a new antimicrobial air filter, order Part Number 11121216. In addition to providing all the benefits of an electrostatic air filter, an antimicrobial air filter also inhibits the growth of odor-causing bacteria, fungi, mold and mildew on the filter. Both of these air filters are sized to fit your air conditioner.

Heavy-duty cover

If you decide to leave your air conditioner installed during the winter, a heavy-duty cover will help protect your air conditioner and reduce drafts. The outdoor cover protects against cold drafts through the unit's air passages and protects the cabinet from snow, rain, sleet, rust, and dust.

For a heavy-duty outdoor cover sized to fit your air conditioner, order Part Number 484069.

For a heavy-duty indoor cover sized to fit your air conditioner, order Part Number 4392941.

Wide Window Kit

A special Wide Window Kit is available for windows 40" (101.6 cm) to 54" (137.2 cm) wide. Use Kit Number 1162147.

SEGURIDAD DEL ACONDICIONADOR DE AIRE

Su seguridad y la seguridad de los demás es muy importante.

Hemos incluido muchos mensajes importantes de seguridad en este manual y en su electrodoméstico. Lea y obedezca siempre todos los mensajes de seguridad.



Este es el símbolo de advertencia de seguridad.

Este símbolo le llama la atención sobre peligros potenciales que pueden ocasionar la muerte o una lesión a usted y a los demás.

Todos los mensajes de seguridad irán a continuación del símbolo de advertencia de seguridad y de la palabra "PELIGRO" o "ADVERTENCIA". Estas palabras significan:

⚠ PELIGRO

Si no sigue las instrucciones de inmediato, usted puede morir o sufrir una lesión grave.

⚠ ADVERTENCIA

Si no sigue las instrucciones, usted puede morir o sufrir una lesión grave.

Todos los mensajes de seguridad le dirán el peligro potencial, le dirán cómo reducir las posibilidades de sufrir una lesión y lo que puede suceder si no se siguen las instrucciones.

INSTRUCCIONES IMPORTANTES DE SEGURIDAD

ADVERTENCIA: Para reducir el riesgo de incendio, choque eléctrico o lesiones personales al usar su acondicionador de aire, siga estas precauciones básicas:

- Conecte a un contacto de pared de conexión a tierra de 3 terminales.
- No quite el terminal de conexión a tierra.
- No use un adaptador.
- No use un cable eléctrico de extensión.
- Desconecte el acondicionador de aire antes de darle servicio.
- Use dos o más personas para mover e instalar el acondicionador de aire.

CONSERVE ESTAS INSTRUCCIONES

REQUISITOS DE INSTALACIÓN

Herramientas y piezas

Reúna las herramientas y piezas necesarias antes de comenzar la instalación. Lea y siga las instrucciones provistas con cualquiera de las herramientas enlistadas aquí.

Herramientas necesarias

- Destornilladores Phillips y de hoja plana
- Nivel
- Cinta para medir
- Taladro y una broca de $\frac{3}{32}$ " o más pequeña

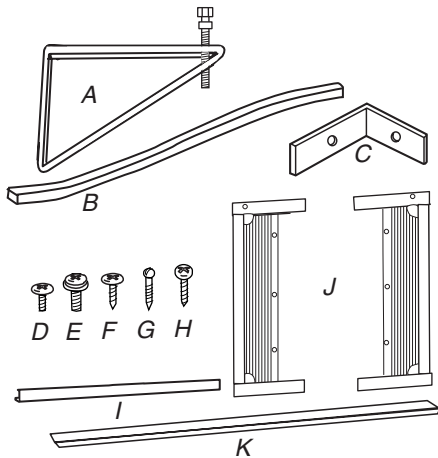
Instalación a través de la pared:

Además de las herramientas enlistadas arriba, se necesitan las siguientes herramientas para la instalación a través de la pared.

- Sierra
- Preservativo para madera
- Masilla
- Madera de 1" (2,5 cm) o más gruesa
- Tornillos para madera #10 x 1" (7)

Piezas suministradas (en algunos modelos)

Verifique que estén todas las piezas en el paquete de piezas.



- A. Soportes de apoyo con pernos de ajuste (2)
- B. Obturador de espuma del marco de la ventana
- C. Soportes de seguridad para la ventana (2)
- D. Tornillos de cabeza de cono achatado Phillips #10 x $\frac{1}{4}$ " (6)
- E. Tornillos de cabeza de arandela Phillips de roscar #10 x $\frac{3}{8}$ " (4)
- F. Tornillos de cabeza de cono achatado Phillips #10 x $\frac{1}{2}$ " (8)
- G. Tornillos de cabeza redonda #10 x $\frac{3}{4}$ " (6)
- H. Tornillos Phillips #10 x $\frac{3}{8}$ " de cabeza redonda pintada (2) (en algunos modelos)
- I. Canal superior
- J. Cortinas laterales (2)
- K. Obturador de espuma adhesivo

NOTAS:

- En algunos modelos, el panel frontal no está fijado al acondicionador de aire. En estos modelos, los 2 tornillos Phillips de cabeza redonda pintada #10 x $\frac{3}{4}$ " (H) que se utilizan para ajustar el panel frontal estarán incluidos en la bolsa de piezas.
- Se incluyen piezas de instalación para ventanas de guillotina de hasta 40" (101,6 cm) de ancho. Un Juego para ventana ancha especial está disponible en su distribuidor o centro de servicio. Vea "Accesorios".

Requisitos de ubicación

IMPORTANTE: Observe todos los códigos y reglamentos aplicables.

Verifique el lugar donde se instalará el acondicionador de aire. La instalación correcta es su responsabilidad. Asegúrese de que usted tenga todo lo necesario para una instalación correcta.

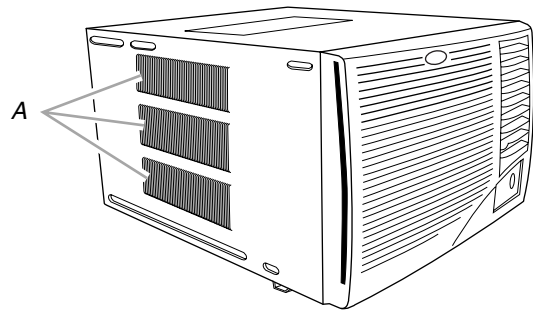
El lugar debe tener:

- Tomacorriente puesto a tierra a no más de 4 pies (122 cm) de donde el cable eléctrico sale del acondicionador de aire.

NOTA: No use un cable eléctrico de extensión.

- Libertad de movimiento del aire en la habitación que desea enfriar.
- Una abertura con la amplitud suficiente para el acondicionador de aire.
- Un soporte adecuado en la pared para el peso del acondicionador de aire. El acondicionador de aire pesa entre 145 y 200 lbs (65 a 96 kg).

NOTA: No deben obstruirse las rejillas del gabinete. El aire debe circular libremente a través de las rejillas del gabinete.

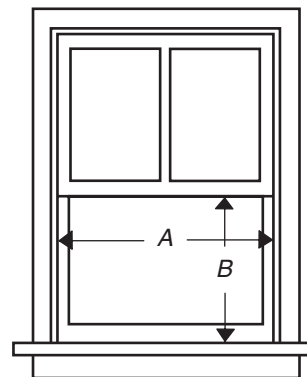


A. Rejillas del gabinete

Instalación en la ventana

Medidas de la abertura de la ventana:

- Ancho: 30" a 40" (76,2 cm a 101,6 cm)
- Altura: 20" (50,8 cm) mínimo

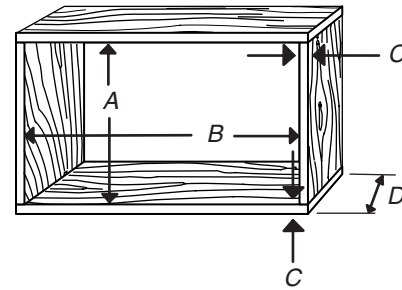


A. 30" (76,2 cm) mínimo
B. 20" (50,8 cm) mínimo

Instalación a través de la pared

Las medidas de la abertura en la pared deben ser:

- Ancho: 26½" (66,1 cm) más el doble del espesor de la madera usada para construir el marco.
- Altura: 19¾" (50,2 cm) más el doble del espesor de la madera usada para construir el marco.
- Profundidad: Las dimensiones de la profundidad dependen del espesor de la pared y del tipo de moldura.



A. 19¾" (50,2 cm)
B. 26½" (66,1 cm)

C. Espesor de la madera
D. Profundidad

Requisitos eléctricos

⚠ ADVERTENCIA



Peligro de Choque Eléctrico

Conecte a un contacto de pared de conexión a tierra de 3 terminales.

No quite la terminal de conexión a tierra.

No use un adaptador.


No use un cable eléctrico de extensión.

No seguir estas instrucciones puede ocasionar la muerte, incendio o choque eléctrico.

El alambre de puesta a tierra debe ser conectado a un tornillo de tierra ubicado en la esquina inferior derecha del acondicionador de aire cuando el acondicionador de aire esté en el gabinete.

Las clasificaciones eléctricas para su acondicionador de aire están enumeradas en la etiqueta de número del modelo y de serie. La etiqueta de modelo y serie se encuentra detrás del panel delantero en la pestaña, debajo del panel de control.

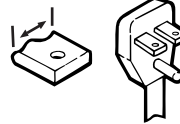
Los requisitos eléctricos específicos se indican en la tabla a continuación. Siga los requisitos para el tipo de enchufe en el cable de alimentación eléctrica.

Cable eléctrico	Requisitos de cableado
	<ul style="list-style-type: none"> ■ 115 volts (103,5 mín. a 126,5 máx.) ■ 0 a 12 amperes ■ Fusible de retardo de 15 amperes o disyuntor ■ Úselo solamente en un circuito con tomacorriente único.

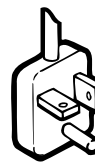
Cable eléctrico

Requisitos de cableado

¼"
(0,6 cm)

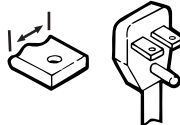


- 230 volts (207 mín. a 253 máx.)
- 0 a 12 amperes
- Fusible de retardo de 15 amperes o disyuntor
- Úselo solamente en un circuito con tomacorriente único.



- 230 volts (207 mín. a 253 máx.)
- 0 a 16 amperes
- Fusible de retardo de 20 amperes o disyuntor
- Úselo solamente en un circuito con tomacorriente único.

½"
(1,3 cm)



- 230 volts (207 mín. a 253 máx.)
- 0 a 24 amperes
- Fusible de retardo de 30 amperes o disyuntor
- Úselo solamente en un circuito con tomacorriente único.

Método recomendado para la puesta a tierra

Este acondicionador de aire debe ser puesto a tierra. Este acondicionador de aire está equipado con un cable de suministro de energía provisto de un enchufe con tres terminales conectado a tierra. Para reducir a un mínimo el peligro de posibles choques eléctricos, el cable debe ser enchufado en un contacto apropiado de pared de tres terminales conectado a tierra de acuerdo con todos los códigos y reglamentos locales. Si no se dispone de un tomacorriente apropiado, es responsabilidad del cliente hacer instalar un contacto con tres terminales debidamente puesto a tierra por un instalador eléctrico calificado.

Es responsabilidad del cliente:

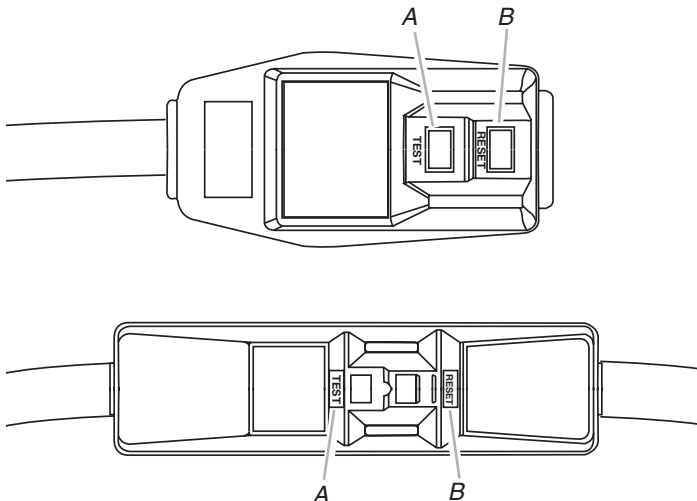
- Llamar a un instalador eléctrico calificado.
- Asegurarse de que la instalación eléctrica sea adecuada y esté hecha de acuerdo con el Código Nacional Eléctrico, ANSI/NFPA 70, última edición, y todos los códigos y reglamentos locales.

Pueden obtenerse copias de las normas señaladas en:

National Fire Protection Association
One Batterymarch Park
Quincy, MA 02269

Cable de suministro de energía

NOTA: El dispositivo de su unidad puede ser diferente de los que se ilustran.



A. Botón de prueba
B. Botón de reposición

Este acondicionador de aire para habitación está equipado con un cable de suministro de energía según lo exige UL. Este cable de suministro de energía incluye circuitos electrónicos de última generación que detectan la corriente de fuga. Si se aplasta el cable, el elemento electrónico detecta la corriente de fuga y la energía se desconecta en una fracción de segundo.

⚠ ADVERTENCIA



Peligro de Choque Eléctrico

Conecte a un contacto de pared de conexión a tierra de 3 terminales.

No quite la terminal de conexión a tierra.

No use un adaptador.

No use un cable eléctrico de extensión.

No seguir estas instrucciones puede ocasionar la muerte, incendio o choque eléctrico.

Para poner a prueba el cable de suministro de energía:

1. Enchufe el cable de suministro de energía en un tomacorriente de 3 terminales con conexión a tierra.
2. Presione RESET (Reposición).
3. Presione TEST (Prueba) (escuche el chasquido, el botón de reposición se atrapa y salta).
4. Presione y suelte RESET (escuche el chasquido, el botón de reposición queda asegurado y se mantiene asegurado). El cable de suministro de energía está listo para su funcionamiento.

NOTAS:

- El botón de reposición debe presionarse para el funcionamiento adecuado.
- El cable de suministro de energía debe ser reemplazado si no se dispara cuando se presione el botón de prueba o cuando falle la reposición.
- No use el cable de suministro de energía como un interruptor de encendido y apagado. El cable de suministro de energía ha sido diseñado como un dispositivo protector.
- Un cable de suministro de energía dañado debe ser reemplazado por un nuevo cable de suministro de energía obtenido del fabricante del producto y no debe ser reparado.
- El cable de suministro de energía no contiene piezas que pueda arreglar el usuario. Todos los reclamos de desempeño y la garantía quedarán anulados si se abre el estuche resistente a alteraciones.

INSTRUCCIONES DE INSTALACIÓN

Desempaque el acondicionador de aire

⚠ ADVERTENCIA

Peligro de Peso Excesivo

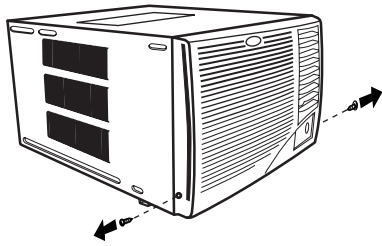
Use dos o más personas para mover e instalar el acondicionador de aire.

No seguir esta instrucción puede ocasionar una lesión en la espalda u otro tipo de lesiones.

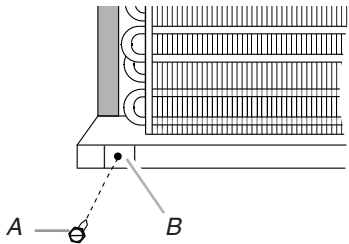
Quite los materiales de empaque

- Quite y deshágase de todos los materiales de embalaje o recícelos. Quite las cintas y los residuos de goma de la superficie antes de encender el acondicionador de aire. Frote un poco de detergente líquido para vajillas sobre el adhesivo con los dedos. Limpie con agua tibia y seque.
- No use instrumentos filosos, alcohol para fricciones, líquidos inflamables o productos de limpieza abrasivos para eliminar los restos de cinta o goma. Estos productos pueden dañar la superficie de su acondicionador de aire.
- Trate el acondicionador de aire con cuidado.

1. Saque el acondicionador de aire de la caja y colóquelo sobre el cartón.
2. En algunos modelos, quite los tornillos y el panel frontal y apártelos.

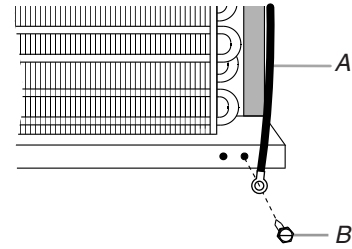


3. Saque el panel frontal del acondicionador de aire y déjelo a un lado.
4. Quite el soporte de seguridad de transporte y el tornillo del acondicionador de aire y póngalos a un lado.



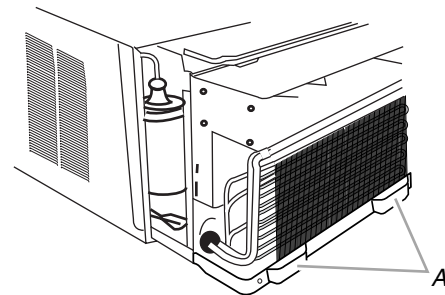
A. Tornillo del soporte de seguridad de transporte
B. Soporte de seguridad de transporte

5. Quite el tornillo de puesta a tierra y el alambre de conexión a tierra del frente del acondicionador de aire. Guarde el tornillo de puesta a tierra.



A. Alambre verde de conexión a tierra
B. Tornillo de puesta a tierra

6. Tire de las manijas para deslizar el acondicionador de aire fuera del gabinete. Coloque el acondicionador de aire sobre el cartón.



A. Manijas

NOTA: No levante, empuje, jale ni remueva ningún poliestireno expandido (espuma) del interior del acondicionador de aire. No es un material de empaque.

Instalación en una ventana (en algunos modelos)

NOTAS:

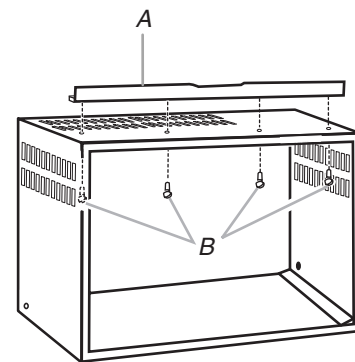
- Trate el acondicionador de aire con cuidado.
- Asegúrese de que el gabinete del acondicionador de aire no se caiga de la abertura durante la instalación o al quitarlo.
- La parte de donde sale el cable eléctrico del acondicionador de aire debe colocarse a no más de 4 pies (122 cm) de un tomacorriente de conexión a tierra de 3 terminales.
- No bloquee las rejillas que están en el panel delantero.
- No bloquee las rejillas que están en el exterior del acondicionador de aire.

Fije el canal superior

NOTA: Sujete el canal superior y las cortinas laterales al gabinete del acondicionador de aire antes de colocar el gabinete en la ventana.

1. Ubique la bolsa provista con tornillos.
2. Coloque el canal superior en la parte superior del acondicionador de aire, alineando los 4 orificios en el canal superior con los 4 orificios en la parte superior del gabinete del acondicionador de aire.

3. Con 4 tornillos de cabeza de arandela Phillips de rosca #10 x 3/8", ajuste el canal superior al gabinete del acondicionador de aire.

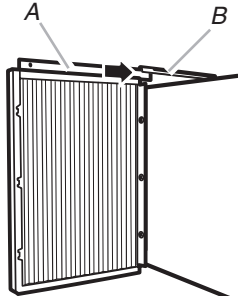


A. Canal superior
B. Tornillos de cabeza de arandela Phillips de rosca #10 x 3/8"

Fije las cortinas laterales

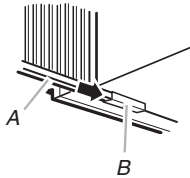
1. Ubique la bolsa provista con tornillos.
2. Inserte la parte superior y luego la parte inferior del alojamiento de la cortina derecha en las guías superior e inferior para cortinas en el acondicionador de aire.

Vista superior



A. Alojamiento de la cortina
B. Guías para las cortinas

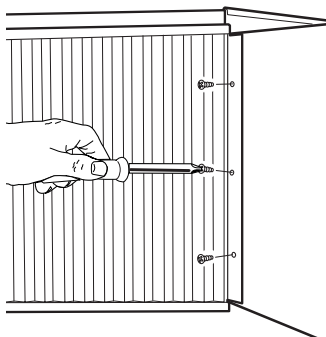
Vista inferior



A. Alojamiento de la cortina
B. Guías para las cortinas

3. Extienda la cortina derecha hacia fuera de manera que pueda insertar el primer tornillo a través del orificio del medio de la cortina. Con un tornillo de cabeza de cono achatado Phillips #10 x 1/4", atornille la cortina al orificio del medio en el gabinete del acondicionador de aire.

NOTA: Se requiere este tornillo para ajustar correctamente la cortina (de arriba hacia abajo) al gabinete del acondicionador de aire.



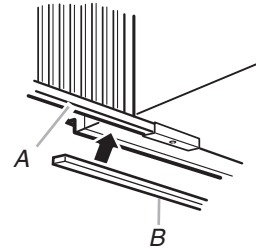
4. Mientras la cortina derecha está extendida, inserte tornillos de cono achatado Phillips #10 x 1/4" en las ranuras superior e inferior de la cortina. Atornille la cortina a los orificios superior e inferior en el gabinete del acondicionador de aire.

NOTA: Algunas cortinas pueden tener 2 ranuras en cada extremo. Usted podrá ver un orificio de montaje a través de la ranura correcta.

5. Deslice el alojamiento de la cortina en las guías lo más lejos posible.
6. Repita los pasos anteriores para la cortina izquierda.

Fije el obturador de espuma adhesivo

Fije el obturador de espuma adhesivo a lo largo de la parte inferior de la ranura inferior de la cortina.

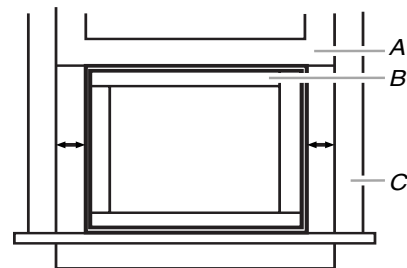


A. Alojamiento de la cortina
B. Obturador de espuma adhesivo

Instalación del gabinete en la ventana

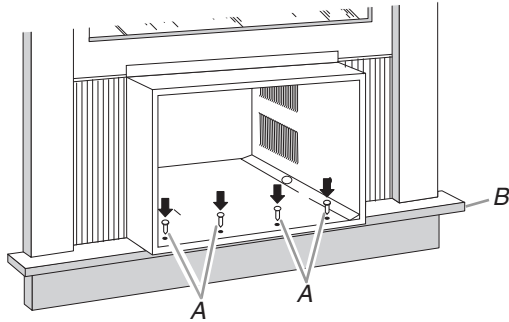
NOTAS:

- Trate el acondicionador de aire con cuidado.
 - Asegúrese de que el gabinete del acondicionador de aire no se caiga de la abertura durante la instalación o al quitarlo.
 - La parte de donde sale el cable eléctrico del acondicionador de aire debe colocarse a no más de 4 pies (122 cm) de un tomacorriente de conexión a tierra de 3 terminales.
 - No bloquee las rejillas que están en el panel delantero.
 - No bloquee las rejillas que están en el exterior del acondicionador de aire.
1. Centre el gabinete vacío en la ventana. Controle que el riel inferior del gabinete del acondicionador de aire esté detrás y contra la parte posterior de la repisa de la ventana. Sostenga firmemente el gabinete del acondicionador de aire. Baje el marco de la ventana para mantener el gabinete en su lugar.
 2. Mida la distancia del lado derecho del gabinete a la parte interior del canal de la ventana.
 3. Repita el procedimiento para el lado izquierdo. Ajuste el gabinete hasta que la distancia a cada lado sea igual.



A. Marco de la ventana
B. Gabinete vacío
C. Canal de la ventana

- Use una broca de barrena de $\frac{3}{32}$ " para taladrar 4 orificios para comenzar de $\frac{3}{8}$ " de profundidad a través de los 4 orificios en el gabinete y dentro del marco de la ventana.
- Sujete el gabinete al marco de la ventana con 4 tornillos Phillips de cabeza de cono achatado #10 x $\frac{1}{2}$ ".



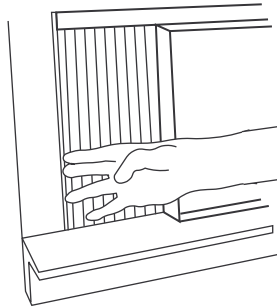
A. Tornillos Phillips de cabeza de cono achatado #10 x $\frac{1}{2}$ "
B. Marco de la ventana

- Verifique que el gabinete del acondicionador de aire esté inclinado hacia afuera para que el agua corra hacia el exterior.

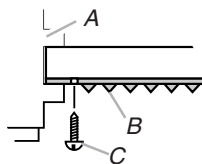
Encaje las cortinas laterales en el marco de la ventana

- Tire de la cortina izquierda hacia afuera hasta que encaje en el canal de la ventana. Utilice una broca de barrena de $\frac{3}{32}$ " para taladrar un primer orificio en el orificio de alojamiento de la cortina y dentro del marco inferior de la ventana.

Vista frontal

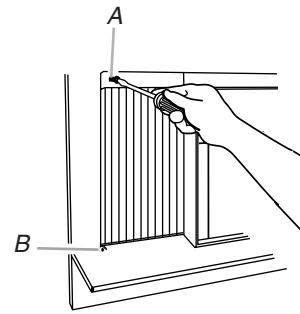


Vista superior



A. Canal de la ventana
B. Cortina izquierda
C. Tornillo de cabeza redonda #10 x $\frac{3}{4}$ "

- Inserte uno de los tornillos de cabeza redonda #10 x $\frac{3}{4}$ ", a través del orificio, en la parte superior de la cortina.
- Inserte uno de los tornillos de cabeza redonda #10 x $\frac{3}{4}$ ", a través del orificio, en la parte inferior de la cortina.

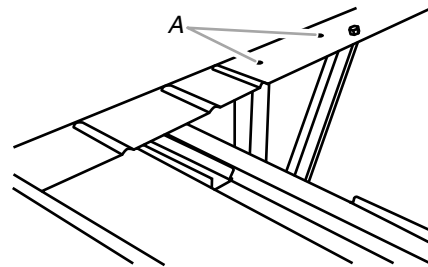


A. Tornillo de cabeza redonda #10 x $\frac{3}{4}$ "
B. Orificio en la parte inferior de la cortina

- Repita el procedimiento para la cortina derecha.

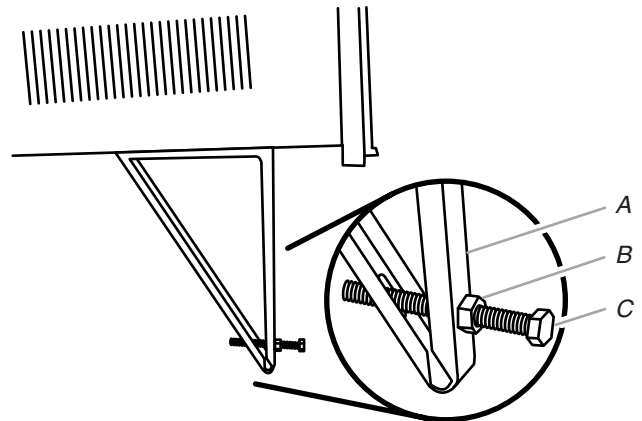
Fije los soportes de apoyo

- Fije el soporte de apoyo al gabinete alineando los orificios en el soporte con los orificios en el gabinete.



A. Orificios en el gabinete y el soporte de apoyo

- Con tornillos de cono achatado Phillips #10 x $\frac{1}{2}$ " fije el soporte al gabinete. Repita el procedimiento para el otro soporte.
- Gire el perno de ajuste para cada soporte hasta que el perno toque la pared.
- Gire la contratuerca en el perno de ajuste para fijarla en su lugar.



A. Soporte de apoyo
B. Contratuerca
C. Perno de ajuste

Complete la instalación en la ventana

1. Inserte el obturador de espuma del marco de la ventana detrás de la parte superior del marco de la ventana inferior y contra el cristal de la ventana superior.
2. Coloque el soporte de seguridad de la ventana en la parte superior de la ventana inferior y contra el marco de la ventana superior a cada lado de la ventana.
3. Utilice una broca de barrena de $\frac{3}{32}$ " para perforar orificios para comenzar a través de los orificios en el soporte y en el marco de la ventana.
4. Fije los soportes de seguridad de la ventana al marco de la ventana con los tornillos de cabeza redonda #10 x $\frac{3}{4}$ " para asegurar la ventana en su lugar.



A. Soportes de seguridad para la ventana
B. Cristal de la ventana superior
C. Obturador de espuma del marco de la ventana

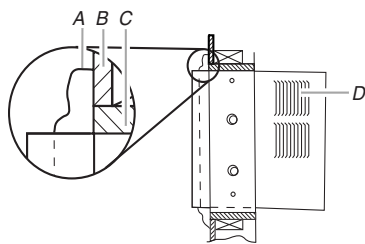
Instalación a través de la pared

NOTAS:

- Trate el acondicionador de aire con cuidado.
- Asegúrese de que el gabinete del acondicionador de aire no se caiga de la abertura durante la instalación o al quitarlo.
- La parte de donde sale el cable eléctrico del acondicionador de aire debe colocarse a no más de 4 pies (122 cm) de un tomacorriente de conexión a tierra de 3 terminales.
- No bloquee las rejillas que están en el panel delantero.
- No bloquee las rejillas que están en el exterior del acondicionador de aire.
- Es responsabilidad y obligación del cliente hacer que este producto sea instalado por un técnico calificado familiarizado con instalaciones a través de la pared de acondicionadores de aire de habitaciones.

Opción 1—Moldura de madera, metal o plástico

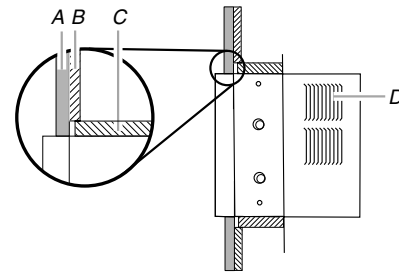
Cuando utilice una moldura de madera, metal o plástico, el marco de madera debe estar alineado con la pared interior como se muestra.



A. Moldura
B. Pared interior
C. Marco de madera
D. Rejillas

Opción 2—Pared enyesada sin moldura

Si la pared enyesada va a nivelarse con el gabinete y no se utiliza ninguna moldura, el marco de madera debe colocarse $\frac{1}{2}$ " (13 mm) dentro de la pared interior.



A. Pared enyesada
B. Pared interior
C. Marco de madera
D. Rejillas

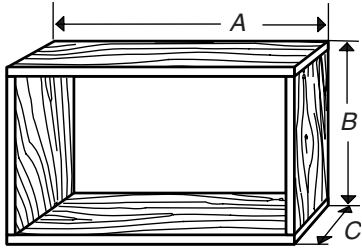
Instalación del marco de madera

1. Arme el marco de madera. Vea "Requisitos de ubicación" para las dimensiones.
2. Mida el ancho y la altura exteriores del marco para determinar las dimensiones de la abertura de la pared.
3. Haga una abertura en la pared. Quite y guarde el aislamiento.

NOTAS:

- Las dimensiones de la profundidad dependen del espesor de la pared y del tipo de moldura.
- No bloquee las rejillas que están en el gabinete del acondicionador de aire.

- Utilice madera de 1" (2,5 cm) o más ancha para el marco de madera.

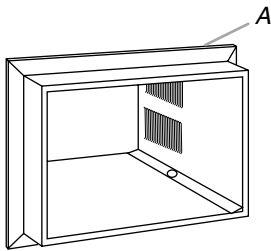


A. Ancho exterior
B. Altura exterior
C. Profundidad

4. Aplique el preservativo para madera a la superficie exterior expuesta.
5. Inserte el marco en la abertura en la pared. Cuadre y nivele el marco.
6. Sujete con firmeza el marco a la pared.

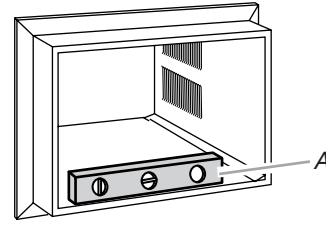
Instalación del gabinete dentro del marco de madera

1. Inserte el gabinete en la abertura de la pared con el marco.



A. Marco

2. Use un nivel para verificar que el gabinete esté nivelado de lado a lado.



A. Nivel

3. Verifique que el gabinete del acondicionador de aire esté inclinado hacia afuera para que el agua corra hacia afuera.

Complete la instalación a través de la pared

1. Vuelva a utilizar el aislamiento para sellar la abertura entre el gabinete y el marco.
2. Utilice los orificios existentes y 6 tornillos para madera #10 x 1" (no provistos) para fijar el gabinete al marco.
NOTA: No apriete demasiado los tornillos para que el gabinete no se deforme perjudicando el sellado del aire entre el gabinete y el acondicionador de aire.
3. Pásele masilla a todas las aberturas exteriores de la pared alrededor del gabinete.

Complete la instalación

RECUERDE: Trate el acondicionador de aire con cuidado.

1. Asegúrese de que el extremo libre del alambre a tierra esté fuera del gabinete.

NOTA: Asegúrese de que el extremo libre del alambre a tierra esté fuera del gabinete.

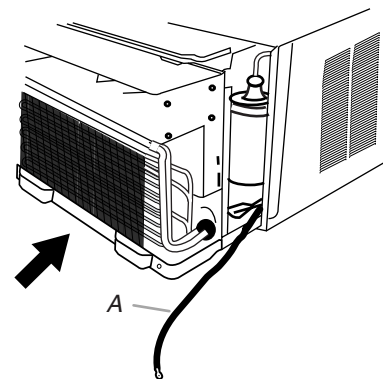
⚠ ADVERTENCIA

Peligro de Peso Excesivo

Use dos o más personas para mover e instalar el acondicionador de aire.

No seguir esta instrucción puede ocasionar una lesión en la espalda u otro tipo de lesiones.

2. Inserte el acondicionador de aire en el gabinete.



A. Alambre a tierra fuera del gabinete

⚠ ADVERTENCIA



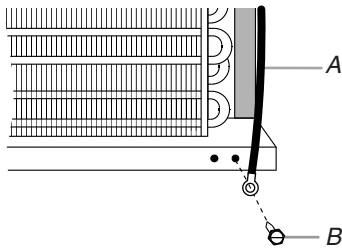
Peligro de Choque Eléctrico

Conecte el alambre verde de conexión a tierra al tornillo de conexión a tierra.

No seguir esta instrucción puede ocasionar la muerte o choque eléctrico.

3. Conecte el alambre verde de conexión a tierra al tornillo de conexión a tierra.

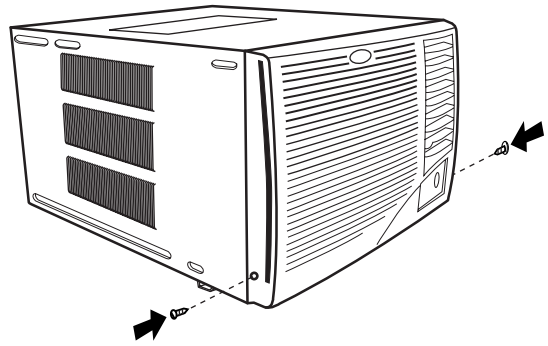
Coloque el alambre de puesta a tierra derecho hacia arriba. Ponga lo que sobra del alambre de puesta a tierra entre el serpentín y el gabinete del acondicionador de aire.



A. Alambre verde de conexión a tierra
B. Tornillo de puesta a tierra

4. Empuje en forma recta el panel delantero y luego bájelo ligeramente para trabarlo en su lugar.

5. Ajuste la parte inferior delantera del panel usando 2 tornillos #10 x 3/8" de cabeza redonda pintada.



NOTA: Para las instalaciones a través de la pared, instale la moldura alrededor del lado del gabinete que da a la habitación si es necesario.

⚠ ADVERTENCIA



Peligro de Choque Eléctrico

Conecte a un contacto de pared de conexión a tierra de 3 terminales.

No quite la terminal de conexión a tierra.

No use un adaptador.

No use un cable eléctrico de extensión.

No seguir estas instrucciones puede ocasionar la muerte, incendio o choque eléctrico.

6. Conecte a un contacto de pared de conexión a tierra de 3 terminales.
7. Presione RESET (Reposición) en el cable de suministro de energía. Vea "Requisitos eléctricos".

CÓMO USAR SU ACONDICIONADOR DE AIRE

Operar debidamente su acondicionador de aire le permite obtener los mejores resultados posibles.

Esta sección le explica cómo operar su acondicionador de aire debidamente.

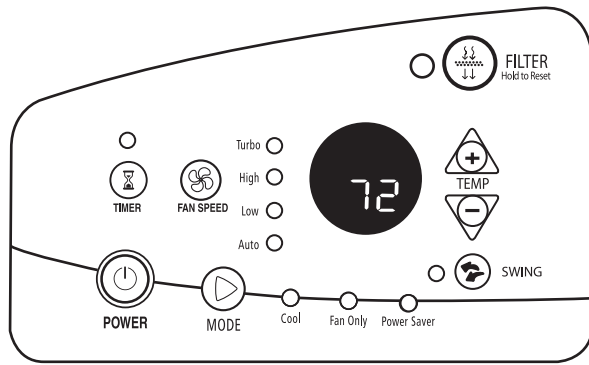
IMPORTANTE:

- Si usted apaga el acondicionador de aire, espere por lo menos 3 minutos antes de volver a ponerlo en marcha. Esto evitará que se queme un fusible del hogar o se dispare un disyuntor de circuito a causa del acondicionador de aire.

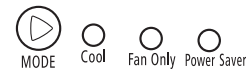
- No trate de operar su acondicionador de aire en el modo de enfriamiento cuando la temperatura exterior sea menor de 65°F (18°C). El serpentín interior del evaporador se congelará y el acondicionador de aire no funcionará debidamente.

NOTA: En caso de corte de electricidad, el acondicionador de aire funcionará con los ajustes previos cuando se reanude la electricidad.

Cómo poner en marcha su acondicionador de aire—Control digital



Ya que el ventilador no hace circular continuamente el aire de la habitación, se consume menos energía, pero el aire de la habitación circula con menos frecuencia. Utilice el modo de Power Saver cuando esté fuera del hogar o durmiendo.



NOTAS:

- Cuando esté apagado el acondicionador de aire, la pantalla muestra la temperatura actual de la habitación.
 - Si la temperatura de la habitación es menor de 55°F (13°C), la pantalla mostrará 55°F (13°C). Si la temperatura de la habitación es mayor de 99°F (37°C), la pantalla mostrará 99°F (37°C).
1. Quite la película protectora transparente del panel de control y de la placa del panel delantero (en algunos modelos).
 2. Oprima el botón de POWER (Encendido) para encender el acondicionador de aire.



NOTA: Cuando se enciende el acondicionador de aire por primera vez después de haberlo enchufado, mostrará en la pantalla los ajustes programados: Modo Cool (Enfriamiento), velocidad de ventilación Turbo, 72°F (22°C) por 3 segundos. Cuando se encienda todas las otras veces, mostrará los ajustes previos por 3 segundos y luego la temperatura de la habitación.

3. Elija el modo. Vea “Mode (Modo)”.
4. Elija la velocidad de ventilación. Vea “Fan Speed (Velocidad de ventilación)”.
5. Elija la temperatura. Vea “Temperatura”.

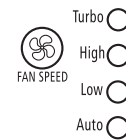
Mode (Modo)

1. Oprima y sostenga MODE (Modo) hasta que se encienda la luz indicadora para la posición que usted desea.
2. Seleccione Cool (Enfriamiento), Fan (Ventilación), o Power Saver (Ahorro de energía).
 - Cool (Enfriamiento)—Enfría el ambiente. Oprima FAN SPEED para seleccionar la velocidad de ventilación. Oprima los botones con las flechas hacia arriba o hacia abajo para ajustar la temperatura.
 - Fan (Ventilación)—Hace funcionar el ventilador en la velocidad Turbo sin enfriar. La pantalla muestra “FO” (sólo ventilación).
 - Power Saver (Ahorro de energía)—El ventilador funciona únicamente cuando se necesita enfriamiento. Usted puede seleccionar la velocidad de ventilación oprimiendo Fan Speed (Velocidad de ventilación).

Fan Speed (Velocidad de ventilación)

NOTA: El botón de velocidad de ventilación funcionará solamente cuando se hayan seleccionado los modos de Cool (Enfriamiento), o Power Saver (Ahorro de energía).

1. Oprima y sostenga FAN SPEED (velocidad de ventilación) hasta ver la luz indicadora para el ajuste deseado.
2. Seleccione Turbo, High (Alta), Low (Baja) o Auto (Automático).



Monitor del filtro

1. Cuando la luz indicadora Filter (Filtro) se encienda o destelle, saque, limpie y vuelva a colocar el filtro de aire. Vea “Limpieza del filtro de aire”.
2. Oprima y sostenga FILTER (Filtro) por 3 segundos después de limpiar y volver a colocar el filtro de aire. Esto vuelve a fijar el monitor del filtro.



NOTA: Después de que el ventilador funcione por 360 horas, la luz indicadora del filtro se encenderá. Permanecerá encendida por 180 horas o hasta que usted presione FILTER (Filtro). Después de 180 horas, destellará. Continuará destellando hasta que usted presione FILTER (Filtro).

Temperatura

- Presione el botón de más para aumentar la temperatura. Cada vez que usted presione o sostenga el botón de más, la temperatura aumentará de a 1° hasta llegar a un máximo de 86°F (30°C).

NOTA: Después de 3 segundos, la pantalla mostrará la temperatura actual de la habitación.



- Presione el botón de menos para bajar la temperatura. Cada vez que usted presione o sostenga el botón de menos, la temperatura disminuirá de a 1° hasta llegar a un mínimo de 64°F (18°C).

NOTA: Después de 3 segundos, la pantalla mostrará la temperatura actual de la habitación.

Retardo del temporizador

Para programar el Temporizador de manera que el acondicionador de aire se apague (el acondicionador de aire tiene que estar Encendido):

1. Oprima TIMER (Temporizador). La luz indicadora Temporizador destellará. La pantalla mostrará las horas restantes antes de que se apague el acondicionador de aire.



2. Oprima el botón de más o menos para cambiar el tiempo de retardo de 1 a 24 horas.
3. Oprima TIMER nuevamente o espere 10 segundos. La luz indicadora Temporizador permanecerá encendida. La pantalla mostrará la temperatura actual de la habitación.

Para programar el temporizador de manera que el acondicionador de aire se encienda manteniendo los ajustes previos:

1. Apague el acondicionador de aire.
2. Oprima TIMER. La luz indicadora Temporizador destellará. La pantalla mostrará las horas restantes antes de que se encienda el acondicionador de aire.
3. Oprima el botón de más o menos para cambiar el tiempo de retardo de 1 a 24 horas.
4. Oprima TIMER nuevamente o espere 10 segundos. La luz indicadora Temporizador permanecerá encendida. La pantalla mostrará la temperatura actual de la habitación.

Para programar el temporizador de manera que el acondicionador de aire se encienda cambiando los ajustes previos:

1. Encienda el acondicionador de aire.
2. Ajuste el modo a Cool (Enfriamiento), Fan Only (Sólo ventilación) o Power Saver (Ahorro de energía).
3. Ajuste la velocidad de ventilación a Turbo, High (Alta), Low (Baja) o Auto (Automática).
4. Ajuste la temperatura entre 64°F y 86°F (18°C y 30°C).
5. Apague el acondicionador de aire.
6. Oprima TIMER. La luz indicadora Temporizador destellará. La pantalla mostrará las horas restantes antes de que se encienda el acondicionador de aire.
7. Oprima el botón de más o menos para cambiar el tiempo de retardo de 1 a 24 horas.
8. Oprima TIMER nuevamente o espere 10 segundos. La luz indicadora Temporizador permanecerá encendida. La pantalla mostrará la temperatura actual de la habitación.

Para borrar la programación del tiempo de retardo del Temporizador:

NOTA: El acondicionador de aire puede estar encendido o apagado.

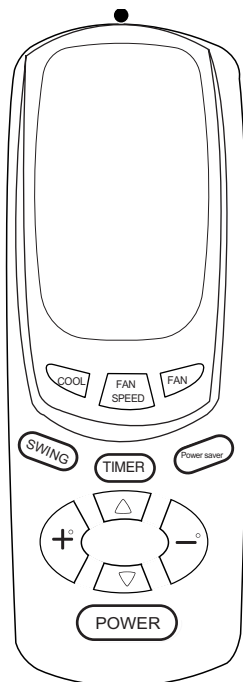
Oprima y sostenga TIMER por 3 segundos. La luz del indicador Temporizador se apagará.

Para ver el tiempo restante (en horas):

1. Oprima TIMER una vez después de que haya sido programado. La pantalla mostrará el tiempo restante.
2. Mientras la pantalla muestra el tiempo restante, usted puede oprimir el botón de más o menos para aumentar o disminuir el tiempo.
3. Después de 10 segundos, la pantalla mostrará la temperatura actual de la habitación.

Cómo usar el control remoto

NOTA: La apariencia del control remoto puede variar.



NOTA: El control remoto se alimenta con dos pilas AAA (incluidas). Cambie las pilas después de 6 meses de uso o cuando el control remoto comienza a perder fuerza.

Para encender o apagar el acondicionador de aire

Presione POWER (Encendido).



Para seleccionar el modo

Oprima COOL (Enfriamiento), FAN (Ventilación) o POWER SAVER (Ahorro de energía).



Para seleccionar la velocidad de ventilación

Oprima FAN SPEED (Velocidad de ventilación) para Turbo, High (Alta), Low (Baja) o Auto (Automática).

NOTA: La velocidad de ventilación Auto (Automática) no puede seleccionarse en el modo de Fan (Ventilación).



Para fijar la temperatura

Para subir la temperatura:

Presione el botón de más para aumentar la temperatura. Cada vez que usted presione o sostenga el botón de más, la temperatura aumentará de a 1° hasta llegar a un máximo de 86°F (30°C).



Para bajar la temperatura:

Presione el botón de menos para disminuir la temperatura. Cada vez que presione o sostenga el botón de menos, la temperatura disminuirá de a 1° hasta llegar a un mínimo de 64°F (18°C).



Para fijar el retraso del temporizador

Para programar el temporizador de manera que el acondicionador de aire se apague (el acondicionador de aire tiene que estar Encendido):

1. Presione TIMER (Temporizador). La luz del indicador en el panel de control del acondicionador de aire se encenderá intermitentemente.



2. Oprima el botón de más o de menos para cambiar el tiempo de retardo de 1 a 24 horas.

3. Oprima TIMER nuevamente o espere 10 segundos. La luz del indicador en el panel de control del acondicionador de aire permanecerá encendida.

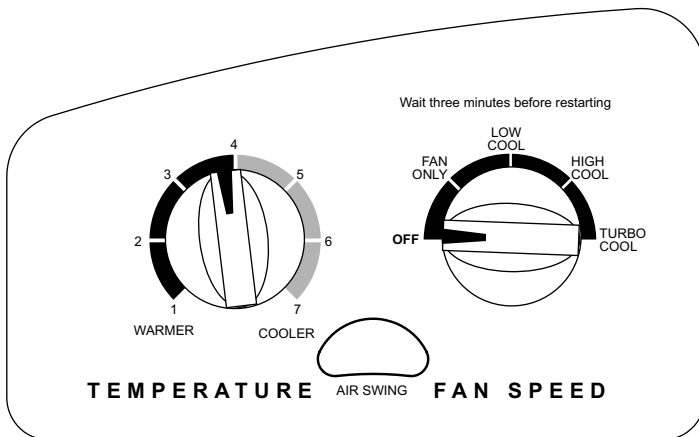
Para programar el temporizador de manera que el acondicionador de aire se encienda manteniendo los ajustes previos:

1. Apague el acondicionador de aire.
2. Oprima TIMER (Temporizador). La luz del indicador se encenderá intermitentemente en el panel de control del acondicionador de aire.
3. Oprima el botón de más o menos para cambiar el tiempo de retardo de 1 a 24 horas.
4. Oprima TIMER nuevamente o espere 10 segundos. La luz del indicador en el panel de control del acondicionador de aire permanecerá encendida.

Para programar el temporizador de manera que el acondicionador de aire se encienda cambiando los ajustes previos:

1. Encienda el acondicionador de aire.
2. Ajuste el modo a Cool (Enfriamiento), Fan (Ventilación) o Power Saver (Ahorro de energía).
3. Ajuste la velocidad de ventilación a Turbo, High (Alta), Low (Baja), o Auto (Automática).
4. Ajuste la temperatura entre 64°F y 86°F (18°C y 30°C).
5. Apague el acondicionador de aire.
6. Oprima TIMER. La luz del indicador se encenderá intermitentemente en el panel de control del acondicionador de aire.
7. Oprima el botón de más o menos para cambiar el tiempo de retardo de 1 a 24 horas.
8. Oprima TIMER nuevamente o espere 10 segundos. La luz del indicador en el panel de control del acondicionador de aire permanecerá encendida.

Cómo poner en marcha su acondicionador de aire—Control rotativo—Modelos con sólo aire frío

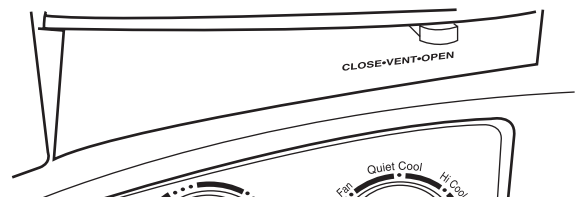


1. Fije el control de respiradero. Vea "Control del respiradero (en algunos modelos)".
2. Elija la velocidad de ventilación. Vea "Fan Speed (Velocidad de ventilación)".
3. Fije la temperatura. Vea "Temperatura".

Control del respiradero (en algunos modelos)

Coloque el control de respiradero en la posición CLOSE (Cerrada) para un enfriamiento máximo continuo. El control de respiradero en la posición OPEN (Abierto) hace escapar el aire viciado/humoso de la sala.

- Open—para hacer salir el aire de la sala al exterior
- Close—para que circule el aire en la sala

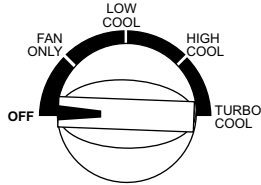


NOTA: El control de respiradero funciona únicamente cuando la Velocidad de ventilación está funcionando.

Fan Speed (Velocidad de ventilación)

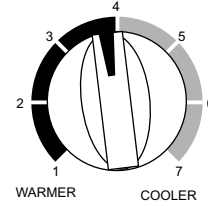
Fije Fan Speed (Velocidad de ventilación) en la posición que desee. Cuando el acondicionador de aire está funcionando a temperaturas Turbo Cool (Máximo nivel de frío), High Cool (Muy fría) or Low Cool (Poco fría), el ventilador hace circular el aire continuamente.

- Turbo Cool (Máximo nivel de frío)—para enfriamiento máximo
- High Cool (Muy fría)—para enfriamiento normal a máximo (dependiendo del modelo)
- Low Cool (Poco fría)—para dormir cómodo
- Fan Only (Ventilación solamente)—para que el aire circule continuamente sin enfriarse

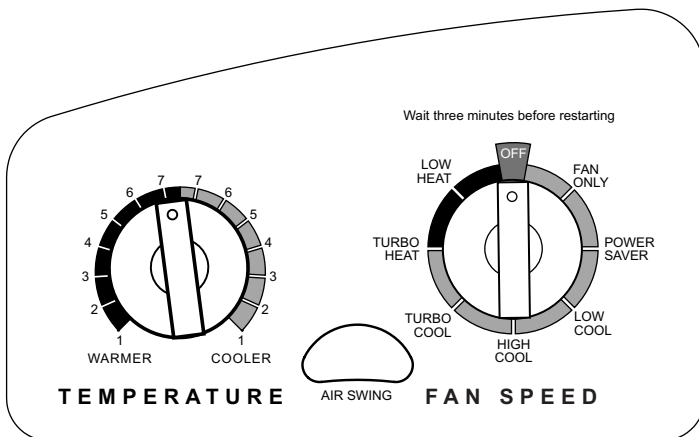


Temperatura

Coloque el Control de TEMPERATURE (Temperatura) en una posición intermedia. Ajuste el funcionamiento del acondicionador de aire girando el control de Temperatura en la dirección de las manecillas del reloj para obtener el máximo nivel de enfriamiento. Para un nivel de enfriamiento menor, gire el Control de TEMPERATURE en dirección contraria a las manecillas del reloj. Experimente y busque el ajuste que más le convenga.



Cómo poner en marcha su acondicionador de aire—Control rotativo—Modelos con aire caliente/frío

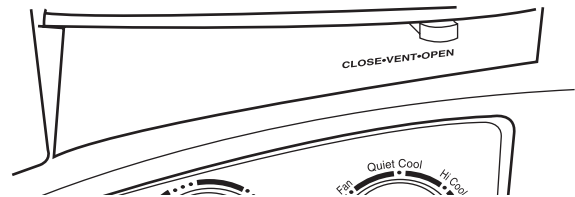


1. Fije el control de respiradero. Vea “Control del respiradero (en algunos modelos)”.
2. Elija la velocidad de ventilación. Vea “Fan Speed (Velocidad de ventilación)”.
3. Fije la temperatura. Vea “Temperatura”.

Control del respiradero (en algunos modelos)

Coloque el control de respiradero en la posición CLOSE (Cerrada) para un enfriamiento máximo continuo. El control de respiradero en la posición OPEN (Abierto) hace escapar el aire viciado/humoso de la sala.

- Open—para hacer salir el aire de la sala al exterior
- Close—para que circule el aire en la sala



NOTA: El control de respiradero funciona únicamente cuando la Velocidad de ventilación está funcionando.

Fan Speed (Velocidad de ventilación)

Ponga la velocidad de ventilación en la posición que desee. Cuando el acondicionador de aire está funcionando a temperaturas Low Heat (Calor bajo), Turbo Heat (Calor turbo), Turbo Cool (Máximo nivel de frío), High Cool (Muy fría) o Low Cool (Poco fría), el ventilador hace circular el aire continuamente.

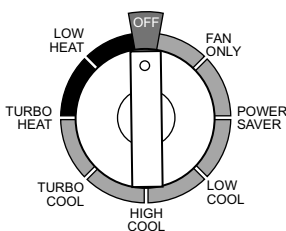
- Low Heat (Calor bajo)—para reducir el nivel de calefacción
- Turbo Heat (Calor turbo)—para máximo nivel de calefacción
- Turbo Cool (Máximo nivel de frío)—para enfriamiento máximo
- High Cool (Muy fría)—para enfriamiento de normal a máximo
- Low Cool (Poco fría)—para dormir cómodo
- Fan Only (Ventilación solamente)—para hacer circular el aire sin calentar ni enfriar

NOTA: El ventilador funciona en velocidad Turbo solamente.

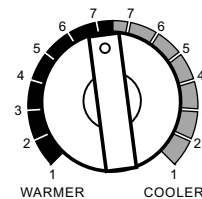
- Power Saver (Ahorro de energía)—el ventilador funciona solamente cuando sea necesario enfriar o calentar.

Ya que el ventilador no hace circular continuamente el aire de la habitación, se consume menos energía, pero el aire de la habitación circula con menos frecuencia. Utilice el modo de Power Saver cuando esté fuera del hogar o durmiendo.

NOTA: El ventilador funciona en velocidad Low (Baja) solamente.



NOTA: Su acondicionador de aire no está diseñado para ser usado como fuente primaria de calor. Está diseñado para ser una fuente suplementaria de calor solamente.

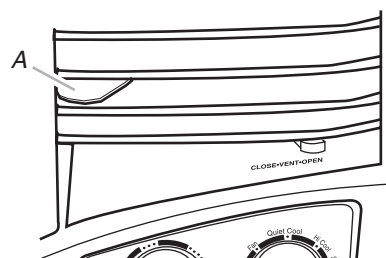


Cómo cambiar la dirección del aire

Use el botón de Air Swing (Dirección de aire) en el panel de control del acondicionador de aire o Swing (Dirección) en el control remoto para dirigir el aire a la derecha o a la izquierda.



Use la lengüeta para dirigir el aire hacia arriba, hacia abajo o directamente hacia adelante.



A. Lengüeta

Temperatura

Enfriamiento

Gire el control de TEMPERATURE (Temperatura) hacia un ajuste que esté hacia el lado derecho de la perilla. Ajuste el funcionamiento del acondicionador de aire fijando el control de temperatura hacia "1" para un enfriamiento máximo. Para obtener menos frío, gire el control de TEMPERATURE (Temperatura) hacia la izquierda, a un número mayor, hacia el lado derecho de la perilla.

Calentamiento

El calentador de tira eléctrica se activa cuando el control de Fan Speed (Velocidad de ventilación) se coloca en una posición de calor. Gire el control de TEMPERATURE (Temperatura) hacia un ajuste que esté hacia el lado izquierdo de la perilla. Para mayor calentamiento, gire el control de TEMPERATURE (Temperatura) hacia "1", para obtener un calentamiento máximo. Para un menor calentamiento, gire el control de TEMPERATURE (Temperatura) hacia la derecha a un número mayor, hacia el lado izquierdo de la perilla.

Experimente y busque el ajuste que más le convenga.

Sonidos normales

Cuando el acondicionador de aire está funcionando normalmente, usted podrá escuchar sonidos como:

- Gotas de agua que caen sobre el condensador, produciendo tintineos o chasquidos. Las gotas de agua ayudan a enfriar el condensador.
- El movimiento del aire que sale del ventilador.
- Chasquidos del ciclo del termostato.
- Vibraciones o ruidos debidos a deficiencias en la construcción de la pared o ventana.
- Un zumbido agudo o un ruido pulsante producido por la alternación de los ciclos del moderno compresor de alta eficiencia.

CUIDADO DE SU ACONDICIONADOR DE AIRE

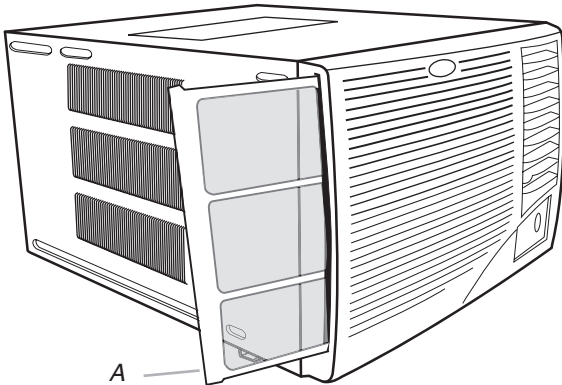
Su nuevo acondicionador de aire está diseñado para darle muchos años de servicio confiable. Esta sección le ofrece la información acerca de la limpieza adecuada y el cuidado de su acondicionador de aire. Llame al vendedor autorizado de su localidad para un chequeo anual. Acuérdesese...el precio de este servicio es su responsabilidad.

Limpieza del filtro de aire

El filtro de aire se puede desmontar para facilitar su limpieza. Un filtro limpio ayuda a quitar el polvo, las pelusas y otras partículas del aire, y es importante para que el aparato funcione y enfríe más eficientemente. Revise el filtro cada dos semanas para ver si necesita limpieza.

NOTA: No haga funcionar el acondicionador de aire si el filtro no está colocado en su lugar.

1. Apague el acondicionador de aire.
2. Saque el filtro de aire deslizándolo desde cualquiera de los lados del panel frontal.



A. Filtro de aire

3. Limpie el filtro usando una aspiradora. Si está muy sucio, lave el filtro con agua tibia y un detergente suave. No lave el filtro de aire en la lavavajillas ni use limpiadores químicos. Seque bien el filtro al aire antes de colocarlo nuevamente para asegurarse la máxima eficiencia.
4. Vuelva a colocar el filtro de aire deslizándolo nuevamente en cualquiera de los lados del acondicionador de aire.

Limpieza del panel delantero

1. Apague el acondicionador de aire.
2. Quite el filtro de aire y límpiolo por separado. Vea "Limpieza del filtro de aire".
3. Limpie el panel delantero con un paño suave y húmedo.
4. Seque el panel delantero al aire completamente.

Reparación de la pintura dañada

Revise una o dos veces al año si hay daños en la pintura. Esto es muy importante, especialmente en lugares que están cerca de los océanos o donde la herrumbre es un problema. Si es necesario, retoque con un esmalte de buena calidad.

NOTA: Para reducir el daño a la pintura durante el invierno, instale una cubierta resistente sobre el gabinete del acondicionador de aire. Para obtener información sobre cómo pedir una cubierta resistente, vea la sección "Accesorios".

Mantenimiento anual

Su acondicionador de aire necesita mantenimiento anual para ayudar a asegurar un rendimiento constante de la mejor calidad durante todo el año. Llame al distribuidor autorizado de su localidad para hacer una cita para el chequeo anual. El precio del chequeo anual es su responsabilidad.

SOLUCIÓN DE PROBLEMAS

Antes de solicitar servicio, pruebe las sugerencias que se incluyen a continuación para ver si puede resolver el problema sin ayuda.

Su acondicionador de aire no funciona

⚠ ADVERTENCIA



Peligro de Choque Eléctrico

Conecte a un contacto de pared de conexión a tierra de 3 terminales.

No quite la terminal de conexión a tierra.

No use un adaptador.

No use un cable eléctrico de extensión.

No seguir estas instrucciones puede ocasionar la muerte, incendio o choque eléctrico.

- **El cable de alimentación eléctrica está desconectado.** Conecte a un contacto de pared de conexión a tierra de 3 terminales. Vea "Requisitos eléctricos".
- **El cable de suministro de energía se trabó (el botón de reposición saltó).** Presione y suelte RESET (Reposición) (escuche el chasquido, el botón de reposición queda asegurado y se mantiene asegurado) para reanudar el funcionamiento.
- **Se ha fundido un fusible de la casa o disparado un cortacircuitos.** Reemplace el fusible o repositone el cortacircuitos. Si el problema continúa, llame a un electricista. Vea "Requisitos eléctricos".
- **El control de Fan Speed (Velocidad de ventilación) se ha fijado en la posición de apagado.** Fije el control de Fan Speed en una posición activa.
- **Se ha interrumpido la energía eléctrica en su localidad.** Espere que se restablezca la energía eléctrica.

El acondicionador de aire funde los fusibles o dispara los cortacircuitos

- **Se están usando muchos aparatos en el mismo circuito.** Desconecte o ponga en otro lugar los aparatos que se estén usando el mismo circuito.
- **Se está usando un fusible de retardo o un cortacircuitos con la capacidad incorrecta.** Reemplácelo con un fusible de retardo o un cortacircuitos con la capacidad correcta. Vea “Requisitos eléctricos”.
- **Se está usando un cable eléctrico de extensión.** No use un cable eléctrico de extensión con este o cualquier otro aparato.
- **Usted está tratando de volver a poner en marcha el acondicionador de aire muy poco tiempo después de apagar el control de Fan (Ventilación).** Espere por lo menos 3 minutos antes de poner en marcha el acondicionador de aire después de apagar el control de Fan.

El cable de suministro de energía del acondicionador de aire se traba (el botón de reposición salta)

- **Las interrupciones en la corriente eléctrica de su casa pueden hacer trabar (el botón de reposición saltará) el cable de suministro de energía.** Presione y libere RESET (Reposición) (escuche el chasquido, el botón de reposición queda asegurado y se mantiene asegurado) para reanudar el funcionamiento.
- **Una sobrecarga eléctrica, el recalentamiento, los pellizcos y el envejecimiento pueden hacer que se trabe (el botón de reposición saltará) el cable de suministro de energía.** Luego de corregir el problema, presione y libere RESET (Reposición) (escuche el chasquido, el botón de reposición queda asegurado y se mantiene asegurado) para reanudar el funcionamiento.

NOTA: Un cable de suministro de energía dañado debe ser reemplazado por un nuevo cable de suministro de energía obtenido del fabricante del producto y que no haya sido reparado.

Parece que el acondicionador de aire funciona excesivamente

- **Su actual acondicionador de aire reemplazó un modelo viejo.** El uso de componentes más eficientes puede hacer que el acondicionador de aire funcione por más tiempo que su antiguo modelo, pero el consumo total de energía será menor. Los acondicionadores de aire más nuevos no emiten las “ráfagas” de aire frío a las que usted estaba acostumbrado con sus unidades anteriores, pero esto no es indicio de menor capacidad o eficiencia en el enfriamiento. Verifique el régimen de eficiencia (EER) y el régimen de capacidad (en Btu/h) que se indican en el acondicionador de aire.
- **La unidad se encuentra en una habitación muy congelada o se están usando en la misma habitación aparatos que generan calor.** Use ventiladores aspiradores cuando esté cocinando o bañándose y trate de no usar aparatos que generan calor durante las horas más calurosas del día. Podría necesitar un acondicionador de aire con más capacidad, dependiendo del tamaño de la habitación que se desea enfriar.

El acondicionador de aire se enciende y se apaga demasiado, o no enfría/calienta la habitación en el modo de enfriamiento/calefacción

- **El control de Fan Speed (Velocidad de ventilación) está puesto en Power Saver (Ahorro de energía) (en algunos modelos).** Utilice el modo de ahorro de energía únicamente cuando esté fuera de su hogar o durmiendo, debido a que el ventilador no hace circular el aire de la sala continuamente. Para mayor comodidad use Low Cool (Poco fría), High Cool (Muy fría), Turbo Cool (Máximo nivel de frío), Turbo Heat (Calor turbo) o Low Heat (Calor bajo).
- **El acondicionador de aire no tiene el tamaño adecuado para su habitación.** Verifique la capacidad de enfriamiento de su acondicionador de aire para habitación. Los acondicionadores de aire para habitaciones no están diseñados para enfriar varias habitaciones.
- **El filtro está sucio u obstruido por desechos.** Limpie el filtro.
- **El evaporador interno y los serpentines del condensador externo están sucios u obstruidos por desechos.** Vea “Mantenimiento anual”.
- **Hay demasiado calor o humedad (se está cocinando en recipientes abiertos, duchas, etc.) en la habitación.** Use un ventilador para eliminar el calor o la humedad de la habitación. Trate de no usar aparatos que generan calor durante las horas más calurosas del día.
- **Las rejillas están boqueadas.** Instale el acondicionador de aire en un lugar donde las rejillas no estén bloqueadas por cortinas, persianas, muebles, etc.
- **La temperatura exterior es inferior a los 65°F (18°C).** No trate de poner en marcha el acondicionador de aire en el modo de enfriamiento cuando la temperatura exterior sea inferior a los 65°F (18°C).
- **La temperatura de la habitación que está tratando de enfriar está demasiado caliente.** Deje pasar más tiempo para que el acondicionador de aire enfríe una habitación muy caliente.
- **Están abiertas ventanas o puertas que dan al exterior.** Cierre todas las puertas y ventanas.
- **El control de respiradero está en OPEN (Abierto) (en algunos modelos).** Fije el control de respiradero en la posición CLOSED (Cerrado) para un enfriamiento y/o calefacción máximo.
- **La temperatura no está en una posición lo suficientemente fría.** Ajuste el control de Temperatura (Temperatura) a una posición más fría girando la perilla en la dirección de las manecillas del reloj. Ponga el control de Fan Speed (Velocidad de ventilación) en Turbo Cool (Máximo nivel de frío).
- **El acondicionador de aire en el modo de calefacción no tiene la capacidad suficiente de Btu/h para los requerimientos de calefacción de la habitación.** No use el acondicionador de aire como fuente principal de calor.

Se filtra agua del gabinete a su casa

- **El acondicionador de aire no está debidamente nivelado.** El acondicionador de aire debe inclinarse ligeramente hacia abajo, hacia el exterior. Nivele el acondicionador de aire de manera que tenga una inclinación hacia abajo, hacia el exterior para asegurar el debido desagüe. Vea las instrucciones de instalación.
NOTA: No perforo orificios en la parte inferior de la base de metal o del colector de condensado.

AYUDA O SERVICIO TÉCNICO

Para evitar llamadas solicitando servicio innecesarias, revise la sección de "Solución de problemas". Podría ahorrarle el costo de una llamada solicitando servicio. Si aún necesita ayuda, siga las instrucciones a continuación.

Si necesita ayuda o servicio técnico

Llame al número telefónico del Centro para la experiencia del cliente. Llame gratis al 1-800-253-1301 en los EE. UU. Nuestros consultores están disponibles para ayudarlo.

Cuando llame, tenga a mano la fecha de compra y el número de modelo y de serie completos de su aparato.

Esta información nos ayudará a atenderle mejor.

Nuestros consultores le proporcionan ayuda para:

- Características y especificaciones para nuestra línea completa de aparatos electrodomésticos
- Información sobre instalación
- Procedimientos de uso y mantenimiento
- Ventas de accesorios y refacciones
- Asistencia especializada al cliente (asistencia en español, para personas con problemas auditivos, visión limitada, etc.)
- Direcciones de vendedores, compañías de servicio y distribuidores de refacciones en su localidad.

Nuestros técnicos en servicio están capacitados para satisfacer la garantía del producto y proporcionar servicios posteriores a la garantía, en cualquier parte de los EE. UU.

Para localizar a una compañía de servicios autorizada en su área, puede buscar en las páginas amarillas de su guía telefónica.

Si necesita refacciones

Si necesita pedir refacciones, le recomendamos que utilice únicamente piezas autorizadas por la fábrica. Estas piezas se adaptarán y funcionarán correctamente porque han sido hechas siguiendo las mismas rigurosas especificaciones utilizadas para construir todos los nuevos aparatos electrodomésticos.

Para localizar piezas autorizadas por la fábrica en su localidad, llame a nuestro Centro para la experiencia del cliente, a su centro de servicio autorizado más cercano o al Servicio de fábrica al 1-800-442-1111 en los EE. UU.

Para asistencia adicional

Si necesita asistencia adicional puede escribir para hacernos cualquier pregunta o comunicarnos sus problemas a:

Customer eXperience Center
553 Benson Road
Benton Harbor, MI 49022-2692

Por favor incluya en su correspondencia un número de teléfono en el que se le pueda localizar durante el día.

Por favor anote la información sobre su modelo.

Siempre que llame para solicitar servicio del aparato, necesitará saber el número del modelo y el número de serie completos. Esta información la encuentra en la placa de número del modelo y número de serie. Vea la ubicación del número del modelo y del número de serie en "Requisitos eléctricos".

Por favor anote la información sobre el número del modelo y el número de serie en el espacio a continuación. Anote también la fecha de compra del aparato, así como el nombre, la dirección y el teléfono de la tienda.

Número de modelo _____

Número de serie _____

Fecha de compra _____

Nombre de la tienda _____

Dirección de la tienda _____

Teléfono de la tienda _____

Guarde este manual y la nota de compra juntos para referencia futura.

Accesorios

Usted puede ordenar los siguientes accesorios para su acondicionador de aire en el distribuidor autorizado de su localidad o llamando al 1-800-253-1301 desde cualquier lugar en los EE. UU. Escuchará una grabación. Siga las instrucciones para hacer su pedido.

Filtros de aire de reemplazo

Un filtro de aire limpio y de buena calidad es importante para obtener el mejor enfriamiento con el menor consumo de energía. Limpie regularmente el filtro de aire. Vea las instrucciones de limpieza en la sección "Limpieza del filtro de aire". Le recomendamos cambiar su filtro de aire una vez al año.

Para obtener un nuevo filtro electrostático de aire, pida la pieza #111211551. Las partículas transportadas por el aire son atraídas hacia un filtro electrostático y permanecen sujetas al mismo hasta que se enjuaguen. Para obtener un nuevo filtro de aire antimicrobiano, pida la pieza #11121216. Además de proporcionar todos los beneficios de un filtro de aire electrostático, un filtro de aire antimicrobiano también inhibe el crecimiento de las bacterias, hongos y moho que causan olores en el filtro. Ambos filtros de aire tienen el tamaño adecuado para encajar en su acondicionador de aire.

Cubierta resistente

Si usted decide dejar instalado su acondicionador de aire durante el invierno, una cubierta resistente ayudará a proteger su aparato y reducir las corrientes de aire. La cubierta para exteriores protege contra las corrientes de aire frío a través de los orificios de paso de aire de la unidad y protege el gabinete contra la nieve, la lluvia, el agua nieve, la oxidación y el polvo.

Para obtener una cubierta para exteriores resistente del tamaño adecuado para su acondicionador de aire, ordene la pieza #484069.

Para obtener una cubierta para interiores resistente del tamaño adecuado para su acondicionador de aire, ordene la pieza #4392941.

Juego para ventana ancha

Un Juego para ventana ancha especial está disponible para ventanas de 40" (101,6 cm) a 54" (137,2 cm) de ancho. Use el juego #1162147.

8215279 / 66121560A

© 2006.
All rights reserved.
Todos los derechos reservados.

9/06
Printed in U.S.A.
Impreso en EE. UU.